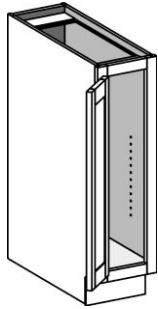


Tray Base



AVAILABLE OPTIONS

EXTEND STILE	EXPOSED END	FLUSH END	MATCHING INTERIOR
✓	✓	✓	✓
SHAPED TOP RAIL	FLUSH TOE	FLUSH TOE WITH ARCH	
	✓		

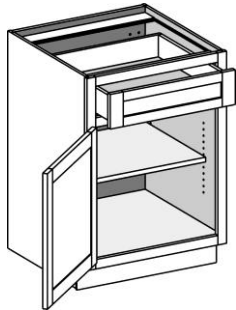
Cabinet Code

B0934.5

Cabinet Notes and Information

- 24" deep
- No Shelf
- No tray dividers included. Available at most home centers.

Base



AVAILABLE OPTIONS

EXTEND STILE	EXPOSED END	FLUSH END	MATCHING INTERIOR
✓	✓	✓	✓
SHAPED TOP RAIL	FLUSH TOE	FLUSH TOE WITH ARCH	
	✓	✓	

Cabinet Code

B1234.5

B1534.5

B1834.5

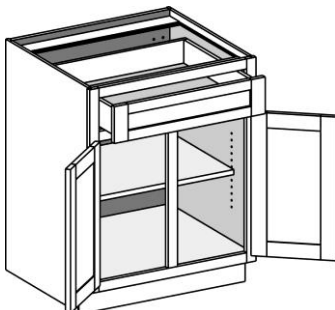
B2134.5

B2434.5

Cabinet Notes and Information

- 24" deep
- ¾ depth shelf
- FTRA not available on 12" wide cabinet

Base



AVAILABLE OPTIONS

EXTEND STILE	EXPOSED END	FLUSH END	MATCHING INTERIOR
✓	✓	✓	✓
SHAPED TOP RAIL	FLUSH TOE	FLUSH TOE WITH ARCH	
	✓	✓	

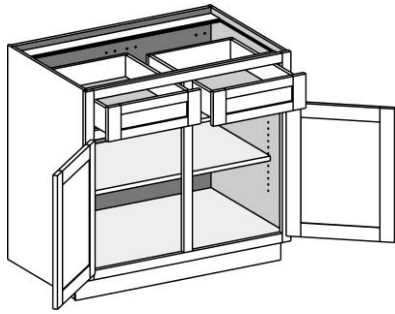
Cabinet Code

B2734.5

Cabinet Notes and Information

- 24" deep
- ¾ depth shelf

Base



AVAILABLE OPTIONS

EXTEND STILE	EXPOSED END	FLUSH END	MATCHING INTERIOR
✓	✓	✓	✓
SHAPED TOP RAIL	FLUSH TOE	FLUSH TOE WITH ARCH	
	✓	✓	

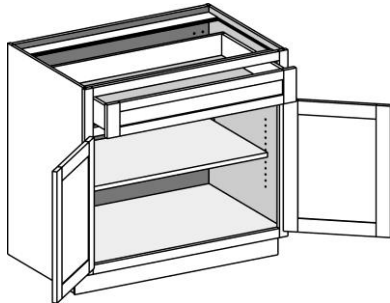
Cabinet Code

Cabinet Notes and Information

B3034.5
B3334.5
B3634.5
B3934.5
B4234.5
B4534.5
B4834.5

- 24" deep
- ¾ depth self

Base w/Butt Doors



AVAILABLE OPTIONS

EXTEND STILE	EXPOSED END	FLUSH END	MATCHING INTERIOR
✓	✓	✓	✓
SHAPED TOP RAIL	FLUSH TOE	FLUSH TOE WITH ARCH	
	✓	✓	

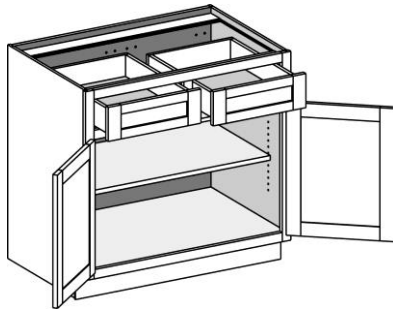
Cabinet Code

Cabinet Notes and Information

B2434.5BD
B2734.5BD
B3034.5BD
B3334.5BD
B3634.5BD

- 24" deep
- ¾ depth shelf

Base w/Butt Doors and 2 Drawers



AVAILABLE OPTIONS

EXTEND STILE	EXPOSED END	FLUSH END	MATCHING INTERIOR
✓	✓	✓	✓
SHAPED TOP RAIL	FLUSH TOE	FLUSH TOE WITH ARCH	
	✓	✓	

Cabinet Code

B3034.5BD2D

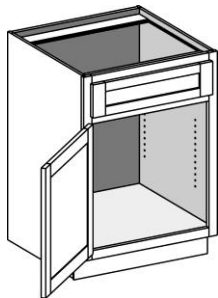
B3334.5BD2D

B3634.5BD2D

Cabinet Notes and Information

- 24" deep
- ¾ depth shelf
- Drawer fronts will not line up with doors in center

Base Sink



AVAILABLE OPTIONS

EXTEND STILE	EXPOSED END	FLUSH END	MATCHING INTERIOR
✓	✓	✓	✓
SHAPED TOP RAIL	FLUSH TOE	FLUSH TOE WITH ARCH	
	✓	✓	

Cabinet Code

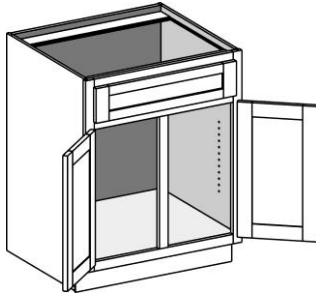
BS2434.5

Cabinet Notes and Information

- 24" Deep
- False Drawer Front
- No drawer parts or shelf with sink units

TIP: Consider using the available 27" deep cabinet option and pulling the sink base of the wall and flanking it with posts, split turnings or angled flutes. Since sinks are under a window, they often can act as a commanding design element in your kitchen. Show it off!

Base Sink



AVAILABLE OPTIONS

EXTEND STILE	EXPOSED END	FLUSH END	MATCHING INTERIOR
✓	✓	✓	✓
SHAPED TOP RAIL	FLUSH TOE	FLUSH TOE WITH ARCH	
	✓	✓	

Cabinet Code

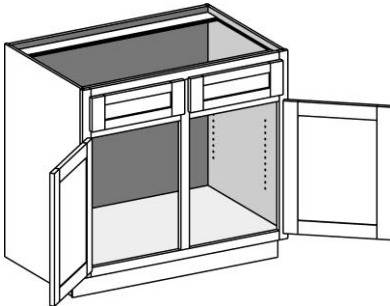
BS2734.5

Cabinet Notes and Information

- 24" Deep
- False Drawer Front
- No drawer parts or shelf with sink units

TIP: Consider using the available 27" deep cabinet option and pulling the sink base of the wall and flanking it with posts, split turnings or angled flutes. Since sinks are under a window, they often can act as a commanding design element in your kitchen. Show it off!

Base Sink



AVAILABLE OPTIONS

EXTEND STILE	EXPOSED END	FLUSH END	MATCHING INTERIOR
✓	✓	✓	✓
SHAPED TOP RAIL	FLUSH TOE	FLUSH TOE WITH ARCH	
	✓	✓	

Cabinet Code

BS3034.5

BS3334.5

BS3634.5

BS3934.5

BS4234.5

BS4534.5

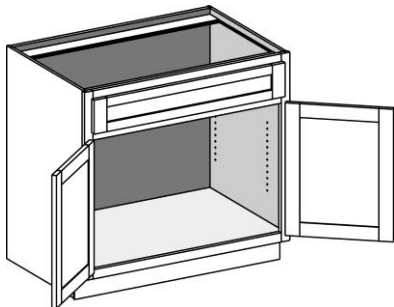
BS4834.5

Cabinet Notes and Information

- 24" Deep
- False Drawer Front
- No drawer parts or shelf with sink units

TIP: Consider using the available 27" deep cabinet option and pulling the sink base of the wall and flanking it with posts, split turnings or angled flutes. Since sinks are under a window, they often can act as a commanding design element in your kitchen. Show it off!

Base Sink w/Butt Doors



AVAILABLE OPTIONS

EXTEND STILE	EXPOSED END	FLUSH END	MATCHING INTERIOR
✓	✓	✓	✓
SHAPED TOP RAIL	FLUSH TOE	FLUSH TOE WITH ARCH	
	✓	✓	

Cabinet Code

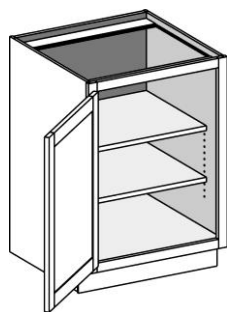
BS2434.5BD
BS2734.5BD
BS3034.5BD
BS3334.5BD
BS3634.5BD

Cabinet Notes and Information

- 24" Deep
- False Drawer Front
- No drawer parts or shelf with sink units

TIP: Consider using the available 27" deep cabinet option and pulling the sink base of the wall and flanking it with posts, split turnings or angled flutes. Since sinks are under a window, they often can act as a commanding design element in your kitchen. Show it off!

Base Full Door



AVAILABLE OPTIONS

EXTEND STILE	EXPOSED END	FLUSH END	MATCHING INTERIOR
✓	✓	✓	✓
SHAPED TOP RAIL	FLUSH TOE	FLUSH TOE WITH ARCH	
✓	✓	✓	

Cabinet Code

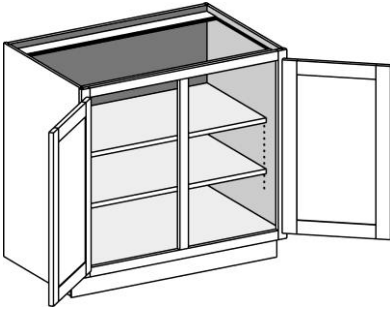
BFD1234.5
BFD1534.5
BFD1834.5
BFD2134.5
BFD2434.5
BFD2434.5

Cabinet Notes and Information

- 24" Deep
- ¾ depth shelf
- Flush toe with arch and arched top rail options not available on 12" wide cabinet

TIP: Consider using the available 27" deep cabinet option and pulling the sink base of the wall and flanking it with posts, split turnings or angled flutes. Since sinks are under a window, they often can act as a commanding design element in your kitchen. Show it off!

Base Full Door



AVAILABLE OPTIONS

EXTEND STILE	EXPOSED END	FLUSH END	MATCHING INTERIOR
✓	✓	✓	✓
SHAPED TOP RAIL	FLUSH TOE	FLUSH TOE WITH ARCH	
	✓	✓	

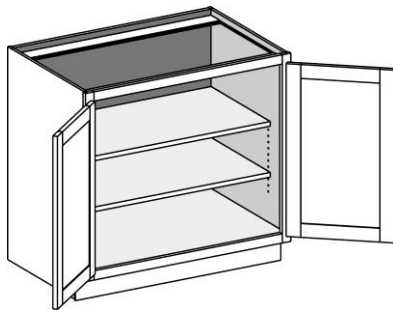
Cabinet Code

Cabinet Notes and Information

BFD2734.5
 BFD3034.5
 BFD3334.5
 BFD3634.5
 BFD3934.5
 BFD4234.5
 BFD4534.5
 BFD4834.5

- 24" Deep
- ¾ depth shelf
- 36", 39" 42" 45" and 48" available in 27" depth

Base Full Door w/Butt Doors



AVAILABLE OPTIONS

EXTEND STILE	EXPOSED END	FLUSH END	MATCHING INTERIOR
✓	✓	✓	✓
SHAPED TOP RAIL	FLUSH TOE	FLUSH TOE WITH ARCH	
✓	✓	✓	

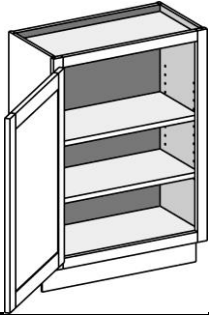
Cabinet Code

Cabinet Notes and Information

BFD2434.5BD
 BFD2434.5BD
 BFD3034.5BD
 BFD3334.5BD
 BFD3634.5BD

- 24" Deep
- ¾ depth shelf

Base Wall Depth



AVAILABLE OPTIONS

EXTEND STILE	EXPOSED END	FLUSH END	MATCHING INTERIOR
✓	✓	✓	✓
SHAPED TOP RAIL	FLUSH TOE	FLUSH TOE WITH ARCH	
✓	✓	✓	

Cabinet Code

Cabinet Notes and Information

BWD1234.5

- 12-1/2" Deep

BWD1534.5

- Full depth shelf

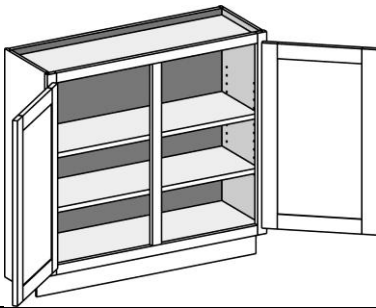
BWD1834.5

- Flush toe with arch and shaped top rail options not available on 12" wide cabinet

BWD2134.5

BWD2434.5

Base Wall Depth



AVAILABLE OPTIONS

EXTEND STILE	EXPOSED END	FLUSH END	MATCHING INTERIOR
✓	✓	✓	✓
SHAPED TOP RAIL	FLUSH TOE	FLUSH TOE WITH ARCH	
	✓	✓	

Cabinet Code

Cabinet Notes and Information

BWD2734.5

- 12-1/2" Deep

BWD3034.5

- Full depth shelf

BWD3334.5

BWD3634.5

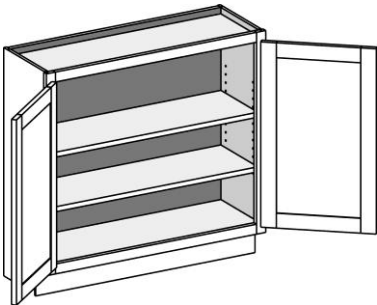
BWD3934.5

BWD4234.5

BWD4534.5

BWD4834.5

Base Wall Depth w/Butt Doors



AVAILABLE OPTIONS

EXTEND STILE	EXPOSED END	FLUSH END	MATCHING INTERIOR
✓	✓	✓	✓
SHAPED TOP RAIL	FLUSH TOE	FLUSH TOE WITH ARCH	
✓	✓	✓	

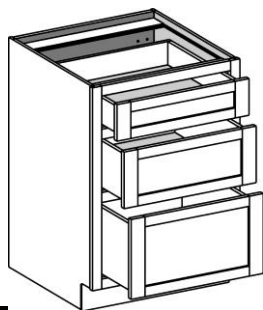
Cabinet Code

BWD2434.5BD
 BWD2734.5BD
 BWD3034.5BD
 BWD3334.5BD
 BWD3634.5BD

Cabinet Notes and Information

- 12-1/2" Deep
- Full Depth Shelf

Base Three Drawer



AVAILABLE OPTIONS

EXTEND STILE	EXPOSED END	FLUSH END	MATCHING INTERIOR
✓	✓	✓	✓
SHAPED TOP RAIL	FLUSH TOE	FLUSH TOE WITH ARCH	
	✓	✓	

Cabinet Code

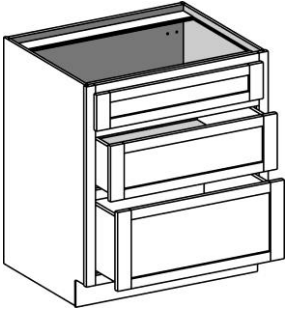
B3D1234.5
 B3D1534.5
 B3D1834.5
 B3D2134.5
 B3D2434.5
 B3D2734.5
 B3D3034.5
 B3D3334.5
 B3D3634.5
 B3D3934.5

Cabinet Notes and Information

- 24" Deep

TIP: Consider adding the bread box option to the bottom drawer or a cutlery insert to the top or middle drawers to create a powerful storage cabinet in your design.

Base Range Three Drawer



AVAILABLE OPTIONS

EXTEND STILE	EXPOSED END	FLUSH END	MATCHING INTERIOR
✓	✓	✓	✓
SHAPED TOP RAIL	FLUSH TOE	FLUSH TOE WITH ARCH	
	✓	✓	

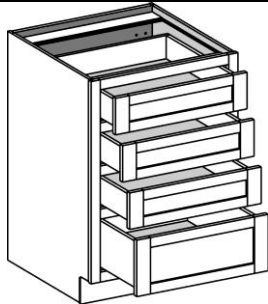
Cabinet Code

BR3D3034.5
BR3D3634.5

Cabinet Notes and Information

- 24" Deep
- False top drawer front

Base Four Drawer



AVAILABLE OPTIONS

EXTEND STILE	EXPOSED END	FLUSH END	MATCHING INTERIOR
✓	✓	✓	✓
SHAPED TOP RAIL	FLUSH TOE	FLUSH TOE WITH ARCH	
	✓	✓	

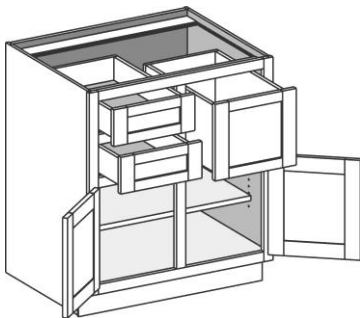
Cabinet Code

B4D1234.5
B4D1534.5
B4D1834.5
B4D2134.5
B4D2434.5
B4D2734.5

Cabinet Notes and Information

- 24" Deep

Base Combination Three Drawer



AVAILABLE OPTIONS

EXTEND STILE	EXPOSED END	FLUSH END	MATCHING INTERIOR
✓	✓	✓	✓
SHAPED TOP RAIL	FLUSH TOE	FLUSH TOE WITH ARCH	
	✓	✓	

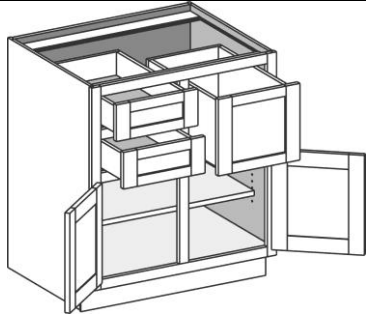
Cabinet Code

BC3D2434.5

Cabinet Notes and Information

- 24" Deep
- ¾ depth shelf

Base Combination Three Drawer



AVAILABLE OPTIONS

EXTEND STILE	EXPOSED END	FLUSH END	MATCHING INTERIOR
✓	✓	✓	✓
SHAPED TOP RAIL	FLUSH TOE	FLUSH TOE WITH ARCH	
	✓	✓	

Cabinet Code

BC3D2734.5

BC3D3034.5

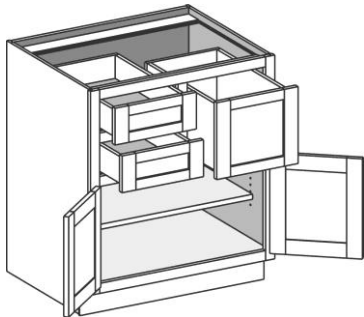
BC3D3334.5

BC3D3634.5

Cabinet Notes and Information

- 24" Deep
- ¾ depth shelf

Base Combination Three Drawer w/Butt Doors



AVAILABLE OPTIONS

EXTEND STILE	EXPOSED END	FLUSH END	MATCHING INTERIOR
✓	✓	✓	✓
SHAPED TOP RAIL	FLUSH TOE	FLUSH TOE WITH ARCH	
	✓	✓	

Cabinet Code

BC3D2434.5BD

BC3D2734.5BD

BC3D3034.5BD

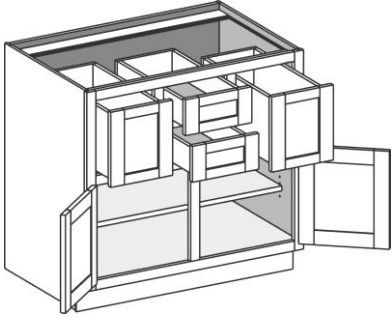
BC3D3334.5BD

BC3D3634.5BD

Cabinet Notes and Information

- 24" Deep
- ¾ depth shelf

Base Combination Four Drawer



AVAILABLE OPTIONS

EXTEND STILE	EXPOSED END	FLUSH END	MATCHING INTERIOR
✓	✓	✓	✓
SHAPED TOP RAIL	FLUSH TOE	FLUSH TOE WITH ARCH	
	✓	✓	

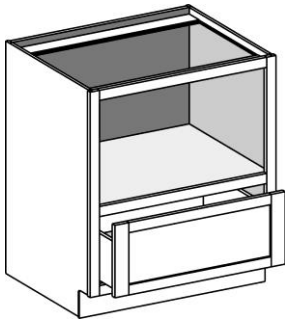
Cabinet Code

BC4D3634.5
 BC4D3934.5
 BC4D4234.5
 BC4D4534.5
 BC4D4834.5

Cabinet Notes and Information

- 24" Deep
- ¾ depth shelf

Base Under Cabinet Microwave



AVAILABLE OPTIONS

EXTEND STILE	EXPOSED END	FLUSH END	MATCHING INTERIOR
✓	✓	✓	✓
SHAPED TOP RAIL	FLUSH TOE	FLUSH TOE WITH ARCH	
✓	✓	✓	

Cabinet Code

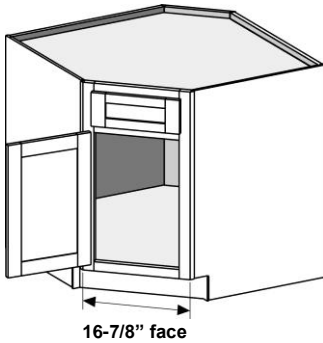
BUCM2434.5
 BUCM2734.5
 BUCM3034.5

Cabinet Notes and Information

- 24" Deep
- Top Opening Height is 15-3/4"

Tip: Use this cabinet for smaller 'set in place' microwaves or smaller MW drawers. Use the BIUCM (built in MW cabinet) for full size built in units.

Base Sink Corner



AVAILABLE OPTIONS

EXTEND STILE	EXPOSED END	FLUSH END	MATCHING INTERIOR
	✓	✓	✓
SHAPED TOP RAIL	FLUSH TOE	FLUSH TOE WITH ARCH	
	✓		

Cabinet Code

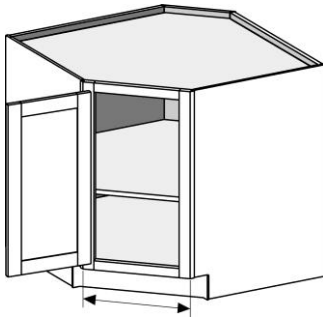
BSC3634.5

Cabinet Notes and Information

- 24" deep sides
- Minimum entry opening width required is 35" (doors, halls, etc)
- Optional loose Toe platform is available for \$20
- False Drawer front
- Optional Shelf available. Part Number SHO117 34-1/8 x 34-1/8. **ASSEMBLY NOTE: Shelf must be assembled IN THE CABINET and cannot be inserted through the cabinet opening after assembly!**

Tip: While useful for certain designs, this cabinet limits the size of the sink you can install without having to cut down the cabinet sides and using fillers to the left and right of it. As a suggestion: If you need a larger corner sink cabinet in your design, simply request a custom face frame and door hung between adjacent cabinets and then add a plywood floor. This creates a huge usable corner cabinet and is less expensive than a true cabinet. Give us a call and we can talk you through it!

Base Corner Full Door



16-7/8" face

AVAILABLE OPTIONS

EXTEND STILE	EXPOSED END	FLUSH END	MATCHING INTERIOR
	✓	✓	✓
SHAPED TOP RAIL	FLUSH TOE	FLUSH TOE WITH ARCH	
	✓		

Cabinet Code

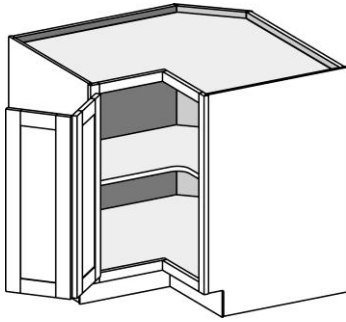
BCFD3634.5

Cabinet Notes and Information

- 24" Deep sides
- Minimum entry opening width required is 35" (doors, halls, etc)
- Optional loose Toe platform is available for \$20
- False Drawer front
- Optional Shelf available. Part Number SHO117 34-1/8 x 34-1/8. **ASSEMBLY NOTE: Shelf must be assembled IN THE CABINET and cannot be inserted through the cabinet opening after assembly!**
- Wood susan upgrade available

Tip: While useful for certain designs, this cabinet limits the size of the sink you can install without having to cut down the cabinet sides and using fillers to the left and right of it. As a suggestion: If you need a larger corner sink cabinet in your design, simply request a custom face frame and door hung between adjacent cabinets and then add a plywood floor. This creates a huge usable corner cabinet and is less expensive than a true cabinet. Give us a call and we can talk you through it!

Base Lazy Susan



AVAILABLE OPTIONS

EXTEND STILE	EXPOSED END	FLUSH END	MATCHING INTERIOR
✓	✓	✓	✓
SHAPED TOP RAIL	FLUSH TOE	FLUSH TOE WITH ARCH	
	✓		

Cabinet Code

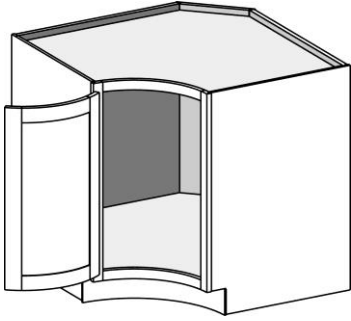
BLS3334.5

BLS3634.5

Cabinet Notes and Information

- 24" deep sides
- Minimum entry opening width required is 35" (doors, halls, etc)
- Optional loose Toe platform is available
- Optional Kidney shaped Rev-A-Shelf susan available. Cabinet comes standard with adjustable shelf.
- Doors joined by Soss Hinge – pre-drilled and hinges come with cabinet.
- Wood susan upgrade available
- **ASSEMBLY NOTE: Shelf must be assembled IN THE CABINET and cannot be inserted through the cabinet opening after assembly!**
- Blum 170 degree opening pie cut susan hinge is available which greatly increases how far the doors swing out of the way when opening. These hinges do require extra labor to install (face frame must be notched to accommodate).

Base Corner Concave



AVAILABLE OPTIONS

EXTEND STILE	EXPOSED END	FLUSH END	MATCHING INTERIOR
	✓	✓	✓
SHAPED TOP RAIL	FLUSH TOE	FLUSH TOE WITH ARCH	

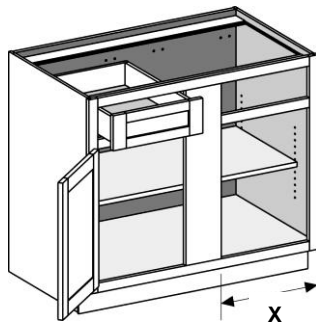
Cabinet Code

BCC3634.5

Cabinet Notes and Information

- Craftsman Line only
- Doors require additional lead time and will need to be quoted custom
- Radius 12-3/8" on face of front frame
- 32" Rev-A-Shelf polymer kidney shaped susan available

Base Blind Corner



AVAILABLE OPTIONS

EXTEND STILE	EXPOSED END	FLUSH END	MATCHING INTERIOR
✓	✓	✓	✓
SHAPED TOP RAIL	FLUSH TOE	FLUSH TOE WITH ARCH	
	✓	✓	

Cabinet	Cabinet Width	'X'	Minimum Space Required	Recommended space for most hardware
BBC3634.5	27"	10-1/2"	36	37-1/2
BBC3934.5	33"	13-1/2"	39	40-1/2
BBC4234.5	39"	16-1/2"	42	43-1/2
BBC4534.5	45"	19-1/2"	45	46-1/2
BBC4834.5	48"	21	48	48

Cabinet Code

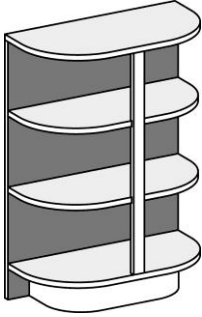
Cabinet Notes and Information

BBC3634.5
 BBC3934.5
 BBC4234.5
 BBC4534.5
 BBC4834.5

- 24" deep
- Reversible Right or Left
- Cabinet can be pulled an additional 2-1/4" beyond recommended space for most hardware clearance.

TIP: Blind Corner base cabinets can create real design and install headaches if not planned properly! Be sure to study the chart above to determine the space required for your blind corner cabinet. Also plan for the required space necessary for hardware clearance on adjacent cabinets. Your overlay and the hardware you choose will play a part in how much 'filler' you need to leave in the corner. Remember that the adjacent cabinet on the opposing cabinet run will need a filler or extended stile against the blind cabinet in order for it to clear the drawer on the blind cabinet. Give us a call if you need help with this!

Peninsula Base Open Shelf



AVAILABLE OPTIONS

EXTEND STILE	EXPOSED END	FLUSH END	MATCHING INTERIOR
			STD
SHAPED TOP RAIL	FLUSH TOE	FLUSH TOE WITH ARCH	

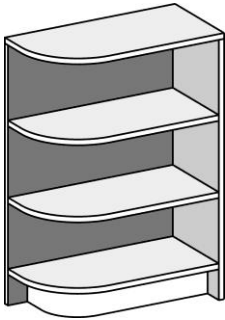
Cabinet Code

Cabinet Notes and Information

PBS434.5

- 24" x 12"
- Craftsman Line Only
- Solid Front Rail
- 3/4" matching specie doweled plywood construction
- Exposed edges are edge banded with matching specie veneer
- Hard maple plywood for both hard and soft maple lines

Base Open Shelf Right or Left



AVAILABLE OPTIONS

EXTEND STILE	EXPOSED END	FLUSH END	MATCHING INTERIOR
			STD
SHAPED TOP RAIL	FLUSH TOE	FLUSH TOE WITH ARCH	

Cabinet Code

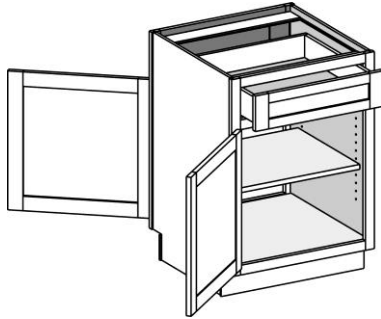
Cabinet Notes and Information

BOSL1234.5

BOSR1234.5

- 24" x 12"
- Craftsman Line Only
- Right shelf shown
- 3/4" matching specie doweled plywood construction
- Exposed edges are edge banded with matching specie veneer
- Hard maple plywood for both hard and soft maple lines

Base Double Entry



AVAILABLE OPTIONS

EXTEND STILE	EXPOSED END	FLUSH END	MATCHING INTERIOR
✓	✓	✓	✓
SHAPED TOP RAIL	FLUSH TOE	FLUSH TOE WITH ARCH	
	✓	✓	

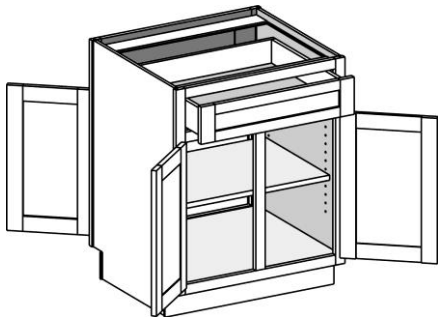
Cabinet Code

BDE2434.5

Cabinet Notes and Information

- 24" deep
- One false drawer front
- Drawer operates from one side only (can be assembled either way)
- Full depth Shelf

Base Double Entry



AVAILABLE OPTIONS

EXTEND STILE	EXPOSED END	FLUSH END	MATCHING INTERIOR
✓	✓	✓	✓
SHAPED TOP RAIL	FLUSH TOE	FLUSH TOE WITH ARCH	
	✓	✓	

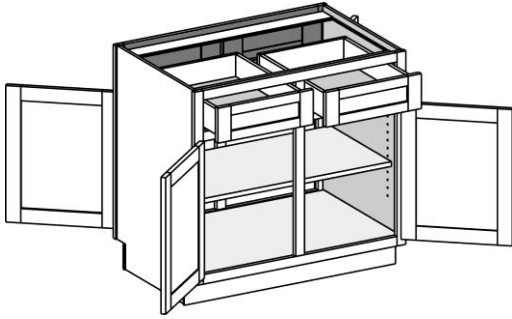
Cabinet Code

BDE2734.5

Cabinet Notes and Information

- 24" Deep
- One false drawer front
- Drawer operates from one side only (can be assembled either way)
- Full depth shelf

Base Double Entry



AVAILABLE OPTIONS

EXTEND STILE	EXPOSED END	FLUSH END	MATCHING INTERIOR
✓	✓	✓	✓
SHAPED TOP RAIL	FLUSH TOE	FLUSH TOE WITH ARCH	
	✓	✓	

Cabinet Code

Cabinet Notes and Information

BDE3034.5

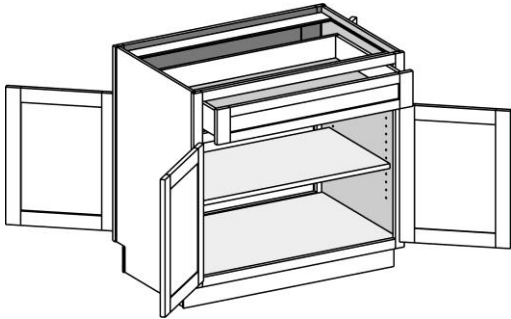
BDE3634.5

BDE4234.5

BDE4834.5

- 24" Deep
- Two false drawer fronts
- Drawers operate from one side only (can be assembled either way)
- Full depth shelf

Base Double Entry w/Butt Doors



AVAILABLE OPTIONS

EXTEND STILE	EXPOSED END	FLUSH END	MATCHING INTERIOR
✓	✓	✓	✓
SHAPED TOP RAIL	FLUSH TOE	FLUSH TOE WITH ARCH	
	✓	✓	

Cabinet Code

Cabinet Notes and Information

BDE2434.5BD

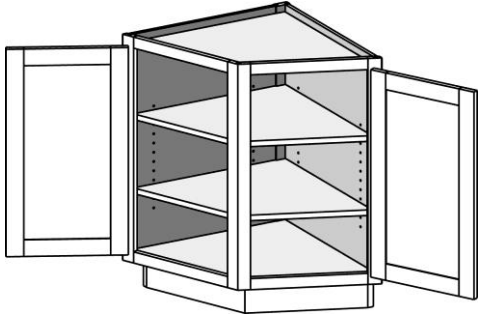
BDE2734.5BD

BDE3034.5BD

BDE3634.5BD

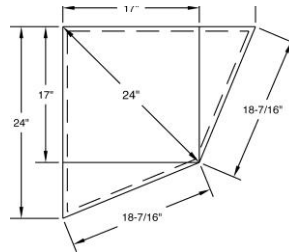
- 24" Deep
- One false drawer front
- Drawer operates from one side only (can be assembled either way)

Base Angle End



AVAILABLE OPTIONS

EXTEND STILE	EXPOSED END	FLUSH END	MATCHING INTERIOR
			✓
SHAPED TOP RAIL	FLUSH TOE	FLUSH TOE WITH ARCH	
	✓		



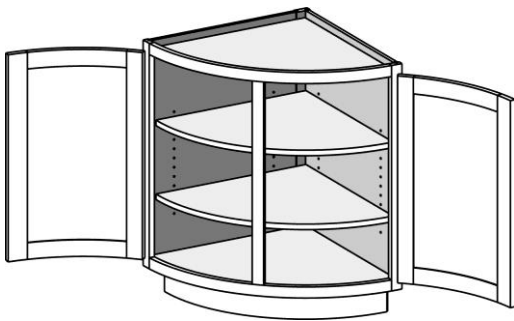
Cabinet Code

BAE2434.5

Cabinet Notes and Information

- 24" x 24"
- Two 15" wide openings
- 1-13/16" wide stiles outside, 1-5/8" wide stiles inside

Base Convex



AVAILABLE OPTIONS

EXTEND STILE	EXPOSED END	FLUSH END	MATCHING INTERIOR
			✓
SHAPED TOP RAIL	FLUSH TOE	FLUSH TOE WITH ARCH	

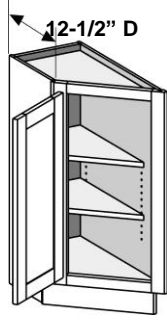
Cabinet Code

BCX2434.5

Cabinet Notes and Information

- 24" x 24"
- Craftsman Line Only
- Door Requires 10 day lead time (unfinished)
- Radius 23-5/8" on face of front frame
- Doors will need to be priced custom

Base Angle End Left/Right



AVAILABLE OPTIONS

EXTEND STILE	EXPOSED END	FLUSH END	MATCHING INTERIOR
	✓	✓	✓
SHAPED TOP RAIL	FLUSH TOE	FLUSH TOE WITH ARCH	

Cabinet Code

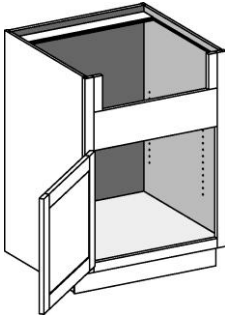
Cabinet Notes and Information

BEAL1234.5

BEAR1234.5

- 24" Deep on long side, 12-1/2" deep on short side.
- Left Shown
- 5/4" thick front frame
- 1-15/16 stile face width
- Flush end available on 12-1/2" deep side only
- Exposed end available on 24" deep side

Apron (Farmer) Sink Base



AVAILABLE OPTIONS

EXTEND STILE	EXPOSED END	FLUSH END	MATCHING INTERIOR
✓	✓	✓	✓
SHAPED TOP RAIL	FLUSH TOE	FLUSH TOE WITH ARCH	
	✓	✓	

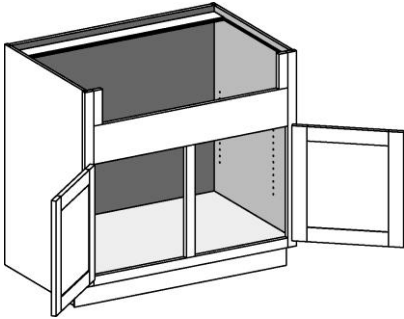
Cabinet Code

Cabinet Notes and Information

ASB2434.5

- 24" Deep
- Sink bowl opening 5-1/2" high, width is 6" less than cabinet width
- Sink opening is trimmable 3" in width and 4-1/2" in height
- No drawer parts or shelf with sink units

Apron (Farmer) Sink Base



AVAILABLE OPTIONS

EXTEND STILE	EXPOSED END	FLUSH END	MATCHING INTERIOR
✓	✓	✓	✓
SHAPED TOP RAIL	FLUSH TOE	FLUSH TOE WITH ARCH	
	✓	✓	

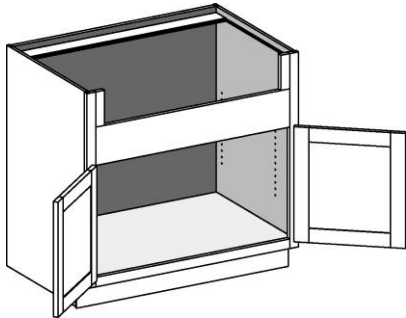
Cabinet Code

Cabinet Notes and Information

ASB2734.5
 ASB3034.5
 ASB3334.5
 ASB3634.5
 ASB3934.5
 ASB4234.5
 ASB4534.5
 ASB4834.5

- 24" Deep
- Sink bowl opening 5-1/2" high, width is 6" less than cabinet width
- Sink opening is trimmable 3" in width and 4-1/2" in height
- No drawer parts or shelf with sink units

Apron (Farmer) Sink Base w/Butt Doors



AVAILABLE OPTIONS

EXTEND STILE	EXPOSED END	FLUSH END	MATCHING INTERIOR
✓	✓	✓	✓
SHAPED TOP RAIL	FLUSH TOE	FLUSH TOE WITH ARCH	
	✓	✓	

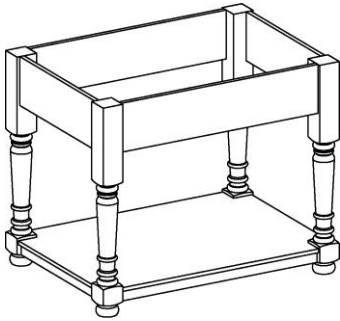
Cabinet Code

Cabinet Notes and Information

ASB2434.5BD
 ASB2734.5BD
 ASB3034.5BD
 ASB3334.5BD
 ASB3634.5BD

- 24" deep
- Sink bowl opening 5-1/2" high, width is 6" less than cabinet width
- Sink opening is trimmable 3" in width and 4-1/2" in height
- No drawer parts or shelf with sink units

Work Table – No Drawers



AVAILABLE OPTIONS

EXTEND STILE	EXPOSED END	FLUSH END	MATCHING INTERIOR
SHAPED TOP RAIL	FLUSH TOE	FLUSH TOE WITH ARCH	

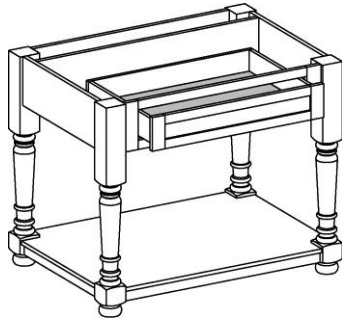
Cabinet Code

Cabinet Notes and Information

WT2434.5
WT2734.5
WT3034.5
WT3334.5
WT3634.5
WT3934.5
WT4234.5
WT4534.5
WT4834.5
WT2434.530
WT2734.530
WT3034.530
WT3334.530
WT3634.530
WT3934.530
WT4234.530
WT4534.530
WT4834.530

- 24" or 30" Deep
- Craftsman Line only
- Solid wood doweled construction
- No drawer or drawer front
- Top not included (wood tops up to 1" thick can be purchased separately)
- Work table bead moldings are available, sold separately

Work Table w/One Drawer



AVAILABLE OPTIONS

EXTEND STILE	EXPOSED END	FLUSH END	MATCHING INTERIOR
SHAPED TOP RAIL	FLUSH TOE	FLUSH TOE WITH ARCH	

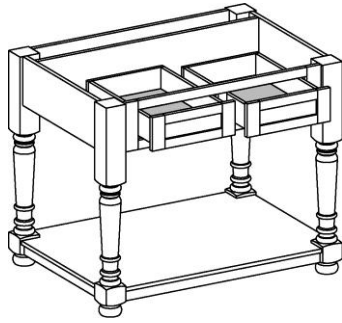
Cabinet Code

Cabinet Notes and Information

WTD2434.5
WTD2734.5
WTD3034.5
WTD3334.5
WTD3634.5
WTD3934.5
WTD4234.5
WTD4534.5
WTD2434.530
WTD2734.530
WTD3034.530
WTD3334.530
WTD3634.530
WTD3934.530
WTD4234.530
WTD4534.530

- 24 or 30" Deep
- Craftsman Line only
- Solid wood doweled construction
- Top not included (wood tops up to 1" thick can be purchased separately)
- Work table bead moldings are available, sold separately

Work Table w/Two Drawer



AVAILABLE OPTIONS

EXTEND STILE	EXPOSED END	FLUSH END	MATCHING INTERIOR
SHAPED TOP RAIL	FLUSH TOE	FLUSH TOE WITH ARCH	

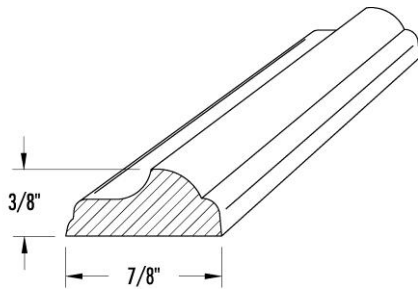
Cabinet Code

Cabinet Notes and Information

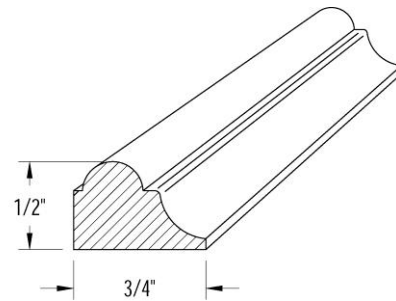
WT2D3934.5
WT2D4234.5
WT2D4534.5
WT2D4834.5
WT2D3934.530
WT2D4234.530
WT2D4534.530
WT2D4834.530

- 24" or 30" Deep
- Craftsman Line only
- Solid wood doweled construction
- Top not included (wood tops up to 1" thick can be purchased separately)
- Work table bead moldings are available, sold separately

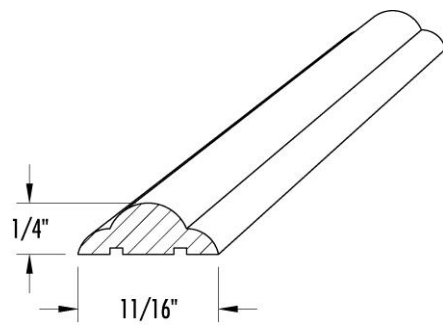
Moulding 35



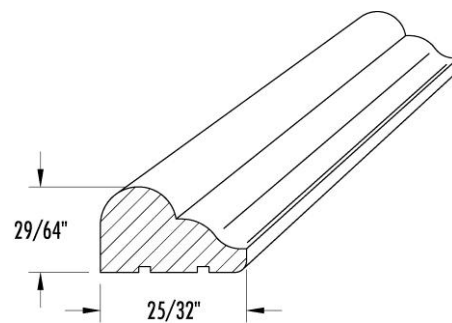
Moulding 224



Moulding 1097

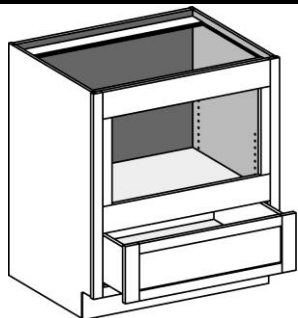


Moulding 1530



- Available in Hard Maple, Red Oak and Cherry
- Solid wood, 8' lengths
- Apply to apron area of work tables for furniture accent

Built In Under Counter Microwave



AVAILABLE OPTIONS

EXTEND STILE	EXPOSED END	FLUSH END	MATCHING INTERIOR
✓	✓	✓	✓
SHAPED TOP RAIL	FLUSH TOE	FLUSH TOE WITH ARCH	
	✓	✓	

Cabinet Code

Cabinet Notes and Information

BIUCM2734.5

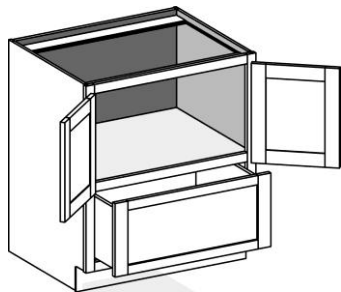
BIUCM3034.5

BIUCM3334.5

BIUCM3634.5

- 24" Deep
- Microwave opening is 13" high, width is 6" less than cabinet width
- Microwave opening is trimmable 3" in width and 5" in height
- Platform for Microwave is NOT included

Base Cook Top



AVAILABLE OPTIONS

EXTEND STILE	EXPOSED END	FLUSH END	MATCHING INTERIOR
✓	✓	✓	✓
SHAPED TOP RAIL	FLUSH TOE	FLUSH TOE WITH ARCH	
	✓	✓	

Cabinet Code

Cabinet Notes and Information

BCT3034.5

BCT3334.5

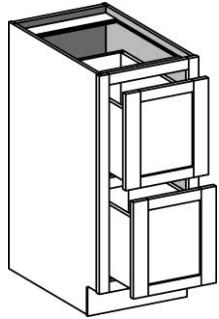
BCT3634.5

BCT3934.5

BCT4234.5

- 24" Deep

Base Two Drawer



AVAILABLE OPTIONS

EXTEND STILE	EXPOSED END	FLUSH END	MATCHING INTERIOR
✓	✓	✓	✓
SHAPED TOP RAIL	FLUSH TOE	FLUSH TOE WITH ARCH	
	✓	✓	

Cabinet Code

Cabinet Notes and Information

B2D1234.5
 B2D1534.5
 B2D1834.5
 B2D2134.5
 B2D2434.5
 B2D2734.5
 B2D3034.5
 B2D3334.5
 B2D3634.5
 B2D3934.5

- 24" Deep