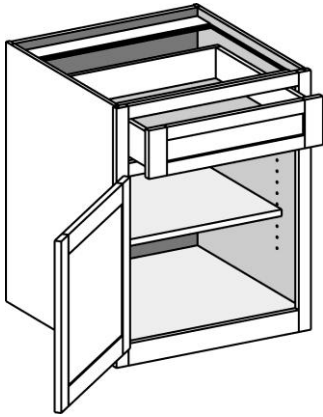


## Desk Base



### AVAILABLE OPTIONS

EXTEND STILE	EXPOSED END	FLUSH END	MATCHING INTERIOR
✓	✓	✓	✓
SHAPED TOP RAIL	FLUSH TOE	FLUSH TOE WITH ARCH	
	<b>STD</b>		

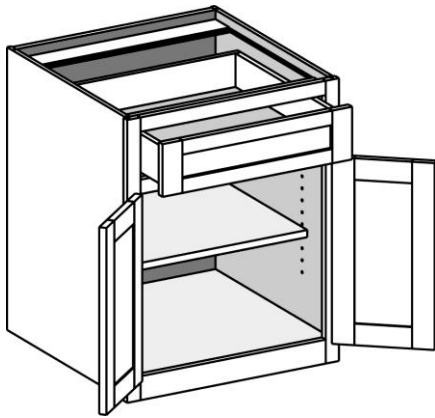
### Cabinet Code

### Cabinet Notes and Information

DB1229.5  
DB1529.5  
DB1829.5  
DB2129.5  
DB2429.5

- Craftsman Line only
- Available 21" or 24" deep. Must specify on order.
- 2-1/2" high flush toe

## Desk Base w / Butt Doors



### AVAILABLE OPTIONS

EXTEND STILE	EXPOSED END	FLUSH END	MATCHING INTERIOR
✓	✓	✓	✓
SHAPED TOP RAIL	FLUSH TOE	FLUSH TOE WITH ARCH	
	<b>STD</b>		

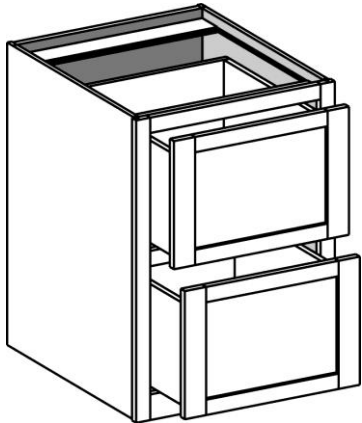
### Cabinet Code

### Cabinet Notes and Information

DB2429.5BD

- Craftsman Line only
- Available 21" or 24" deep. Must specify on order.
- 2-1/2" high flush toe

## Desk Base Two Drawers



### AVAILABLE OPTIONS

EXTEND STILE	EXPOSED END	FLUSH END	MATCHING INTERIOR
✓	✓	✓	
SHAPED TOP RAIL	FLUSH TOE	FLUSH TOE WITH ARCH	
	<b>STD</b>		

### Cabinet Code

### Cabinet Notes and Information

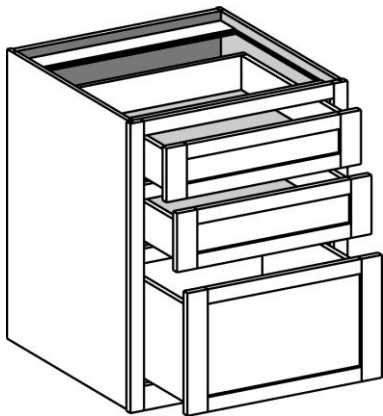
DB2D1529.5

DB2D1829.5

DB2D2129.5

- Craftsman Line only
- Available 21" or 24" deep. Must specify on order.
- 2-1/2" high flush toe
- Unfinished interiors only
- Both drawers designed to accommodate Pendaflex files /racks (not included)

## Desk Base 3 Drawers



### AVAILABLE OPTIONS

EXTEND STILE	EXPOSED END	FLUSH END	MATCHING INTERIOR
✓	✓	✓	
SHAPED TOP RAIL	FLUSH TOE	FLUSH TOE WITH ARCH	
	<b>STD</b>		

### Cabinet Code

### Cabinet Notes and Information

DB3D1529.5

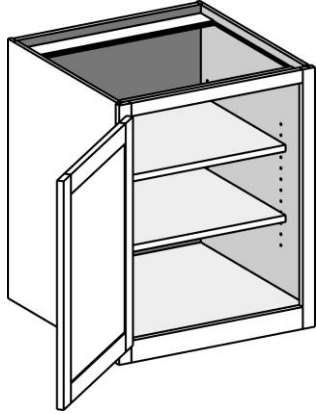
DB3D1829.5

DB3D2129.5

DB3D2429.5

- Craftsman Line only
- Available 21" or 24" deep. Must specify on order.
- 2-1/2" high flush toe
- Unfinished interiors only
- Bottom drawer designed to accommodate Pendaflex files /racks (not included)

## Desk Base Full Door



### AVAILABLE OPTIONS

EXTEND STILE	EXPOSED END	FLUSH END	MATCHING INTERIOR
✓	✓	✓	✓
SHAPED TOP RAIL	FLUSH TOE	FLUSH TOE WITH ARCH	
✓	<b>STD</b>		

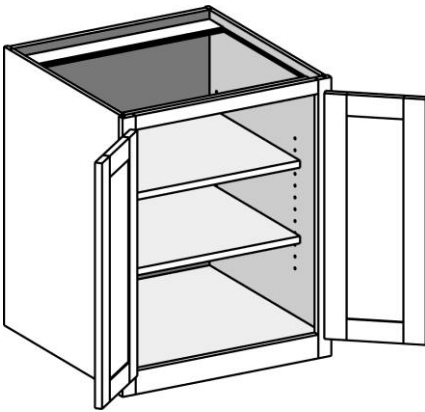
### Cabinet Code

### Cabinet Notes and Information

DBFD1229.5
DBFD1529.5
DBFD1829.5
DBFD2129.5
DBFD2429.5

- Craftsman Line only
- Available 21" or 24" deep. Must specify on order.
- 2-1/2" high flush toe

## Desk Base Full Door w / Butt Doors



### AVAILABLE OPTIONS

EXTEND STILE	EXPOSED END	FLUSH END	MATCHING INTERIOR
✓	✓	✓	✓
SHAPED TOP RAIL	FLUSH TOE	FLUSH TOE WITH ARCH	
✓	<b>STD</b>		

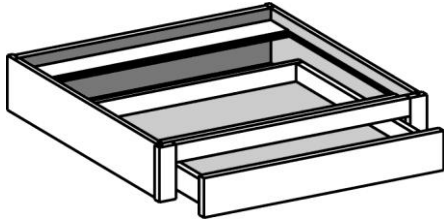
### Cabinet Code

### Cabinet Notes and Information

DBFD2429.5BD

- Craftsman Line only
- Available 21" or 24" deep. Must specify on order.
- 2-1/2" high flush toe

## Desk Drawer



### AVAILABLE OPTIONS

EXTEND STILE	EXPOSED END	FLUSH END	MATCHING INTERIOR
✓	✓	✓	
SHAPED TOP RAIL	FLUSH TOE	FLUSH TOE WITH ARCH	

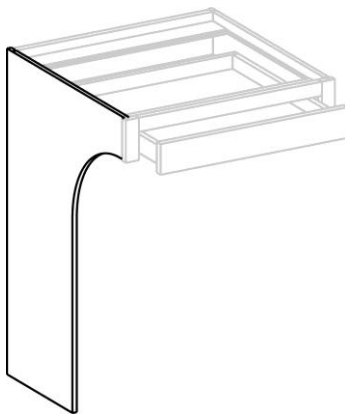
### Cabinet Code

### Cabinet Notes and Information

DD184.5  
DD214.5  
DD244.5  
DD274.5  
DD304.5  
DD334.5  
DD364.5

- Craftsman Line only
- Available 21" or 24" deep. Must specify on order.
- Unfinished interior only
- No bottom or bottom rail

## Desk Drawer Support Left (or Right)



### AVAILABLE OPTIONS

EXTEND STILE	EXPOSED END	FLUSH END	MATCHING INTERIOR
	<b>STD</b>	✓	<b>STD</b>
SHAPED TOP RAIL	FLUSH TOE	FLUSH TOE WITH ARCH	

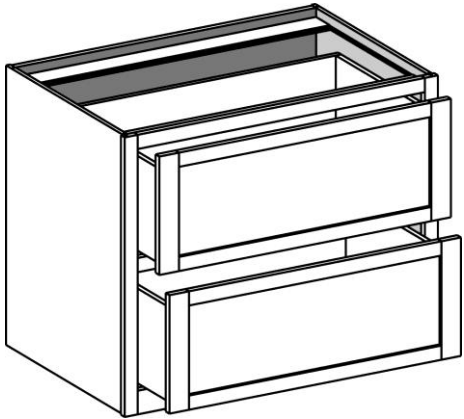
### Cabinet Code

### Cabinet Notes and Information

DDSL2134.5  
DDSL2434.5  
DDSL2134.5  
DDSL2434.5

- Craftsman Line only
- Left Shown
- Bottom can be trimmed to custom height
- Support leg only, desk shown is not included
- Exposed edge is banded with matching specie veneer

## Lateral File Two Drawer



### AVAILABLE OPTIONS

EXTEND STILE	EXPOSED END	FLUSH END	MATCHING INTERIOR
✓	✓	✓	
SHAPED TOP RAIL	FLUSH TOE	FLUSH TOE WITH ARCH	
	<b>STD</b>		

### Cabinet Code

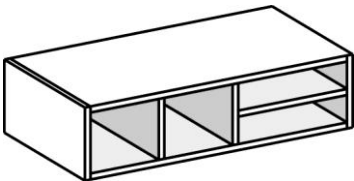
### Cabinet Notes and Information

LF2D3029.5

LF2D3629.5

- Craftsman Line only
- 2-1/2" high flush toe
- Unfinished interiors only
- 24" deep cabinet has 21" deep interior (to accommodate shallow drawers for laterally hanging files)
- Full extension interlocking drawer glides

## Letter File Slot – 24" and 27" wide



### AVAILABLE OPTIONS

EXTEND STILE	EXPOSED END	FLUSH END	MATCHING INTERIOR
	<b>STD</b>		<b>STD</b>
SHAPED TOP RAIL	FLUSH TOE	FLUSH TOE WITH ARCH	

### Cabinet Code

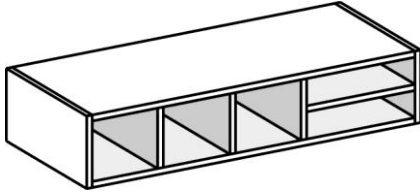
### Cabinet Notes and Information

LFS246

LFS276

- Craftsman Line only
- 1/2" matching specie doweled plywood construction
- Recessed back design for custom depth modification (by client)
- Exposed edge is banded with matching specie veneer

## Letter File Slot – 30” Wide



### AVAILABLE OPTIONS

EXTEND STILE	EXPOSED END	FLUSH END	MATCHING INTERIOR
	<b>STD</b>		<b>STD</b>
SHAPED TOP RAIL	FLUSH TOE	FLUSH TOE WITH ARCH	

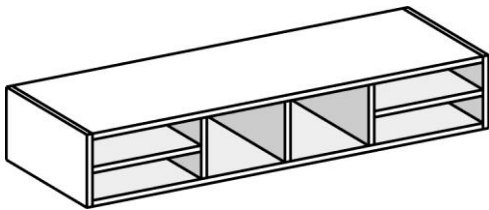
### Cabinet Code

### Cabinet Notes and Information

LFS306

- Craftsman Line only
- ½” matching specie doveled plywood construction
- Recessed back design for custom depth modification (by client)
- Exposed edge is banded with matching specie veneer

## Letter File Slot – 33” and 36” Wide



### AVAILABLE OPTIONS

EXTEND STILE	EXPOSED END	FLUSH END	MATCHING INTERIOR
	<b>STD</b>		<b>STD</b>
SHAPED TOP RAIL	FLUSH TOE	FLUSH TOE WITH ARCH	

### Cabinet Code

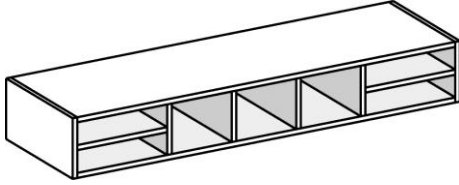
### Cabinet Notes and Information

LFS336

LFS366

- Craftsman Line only
- ½” matching specie doveled plywood construction
- Recessed back design for custom depth modification (by client)
- Exposed edge is banded with matching specie veneer

## Letter File Slot – 39” and 42” Wide



### AVAILABLE OPTIONS

EXTEND STILE	EXPOSED END	FLUSH END	MATCHING INTERIOR
	<b>STD</b>		<b>STD</b>
<b>SHAPED TOP RAIL</b>	<b>FLUSH TOE</b>	<b>FLUSH TOE WITH ARCH</b>	

### Cabinet Code

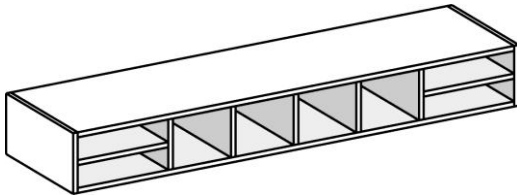
### Cabinet Notes and Information

LFS396

LFS426

- Craftsman Line only
- ½” matching specie doweled plywood construction
- Recessed back design for custom depth modification (by client)
- Exposed edge is banded with matching specie veneer

## Letter File Slot – 45” and 48” Wide



### AVAILABLE OPTIONS

EXTEND STILE	EXPOSED END	FLUSH END	MATCHING INTERIOR
	<b>STD</b>		<b>STD</b>
<b>SHAPED TOP RAIL</b>	<b>FLUSH TOE</b>	<b>FLUSH TOE WITH ARCH</b>	

### Cabinet Code

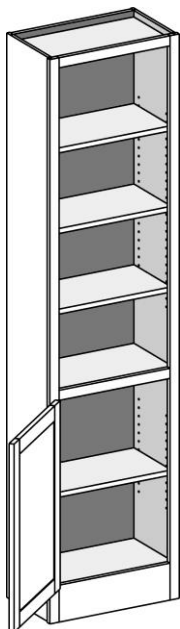
### Cabinet Notes and Information

LFS456

LFS486

- Craftsman Line only
- ½” matching specie doweled plywood construction
- Recessed back design for custom depth modification (by client)
- Exposed edge is banded with matching specie veneer

## Other Room Cabinet



### AVAILABLE OPTIONS

EXTEND STILE	EXPOSED END	FLUSH END	MATCHING INTERIOR
✓	<b>STD</b>	✓	<b>STD</b>
SHAPED TOP RAIL	FLUSH TOE	FLUSH TOE WITH ARCH	
✓	<b>STD</b>	✓	

### Cabinet Code

### Cabinet Notes and Information

ORC1584

ORC1884

ORC2184

ORC1590

ORC1890

ORC2190

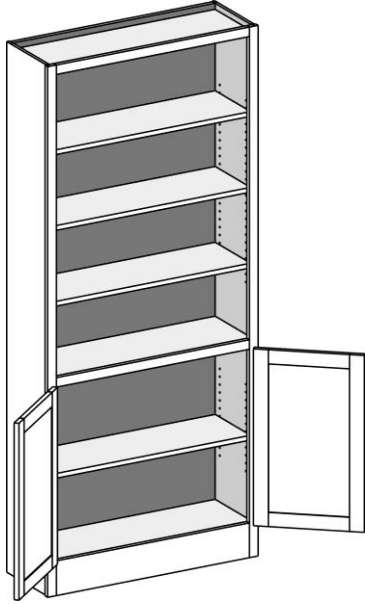
ORC1596

ORC1896

ORC2196

- Craftsman Line only
- 12-1/2" Deep
- Doors on top section are optional and must be specified (interior will still be matching as standard)
- Lower door section aligns with 34-1/2" base cabinets

# Other Room Cabinet w / Butt Doors



## AVAILABLE OPTIONS

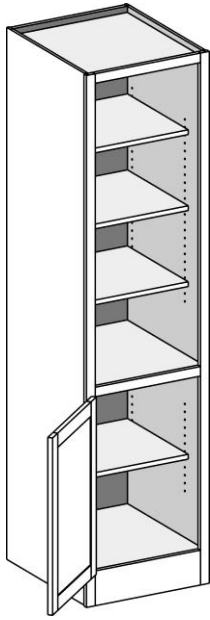
EXTEND STILE	EXPOSED END	FLUSH END	MATCHING INTERIOR
✓	<b>STD</b>	✓	<b>STD</b>
SHAPED TOP RAIL	FLUSH TOE	FLUSH TOE WITH ARCH	
✓	<b>STD</b>	✓	

### Cabinet Code

### Cabinet Notes and Information

ORC2484	<ul style="list-style-type: none"> <li>• Craftsman Line only</li> <li>• 12-1/2" Deep</li> <li>• Doors on top section are optional and must be specified (interior will still be matching as standard)</li> <li>• Lower door section aligns with 34-1/2" base cabinets</li> </ul>
ORC2784	
ORC3084	
ORC3384	
ORC3684	
ORC2490	
ORC2790	
ORC3090	
ORC3390	
ORC3690	
ORC2496	
ORC2796	
ORC3096	
ORC3396	
ORC3696	

# Other Room Cabinet Deep



## AVAILABLE OPTIONS

EXTEND STILE	EXPOSED END	FLUSH END	MATCHING INTERIOR
✓	<b>STD</b>	✓	<b>STD</b>
SHAPED TOP RAIL	FLUSH TOE	FLUSH TOE WITH ARCH	
✓	<b>STD</b>	✓	

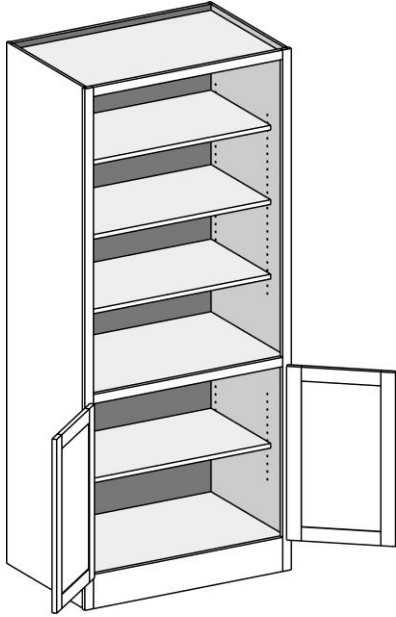
### Cabinet Code

### Cabinet Notes and Information

ORCD1584
ORCD1884
ORCD2184
ORCD1590
ORCD1890
ORCD2190
ORCD1596
ORCD1896
ORCD2196

- Craftsman Line only
- 24" Deep
- Doors on top section are optional and must be specified (interior will still be matching as standard)
- Lower door section aligns with 34-1/2" base cabinets

## Other Room Cabinet Deep w / Butt Doors



### AVAILABLE OPTIONS

EXTEND STILE	EXPOSED END	FLUSH END	MATCHING INTERIOR
✓	<b>STD</b>	✓	<b>STD</b>
SHAPED TOP RAIL	FLUSH TOE	FLUSH TOE WITH ARCH	
✓	<b>STD</b>	✓	

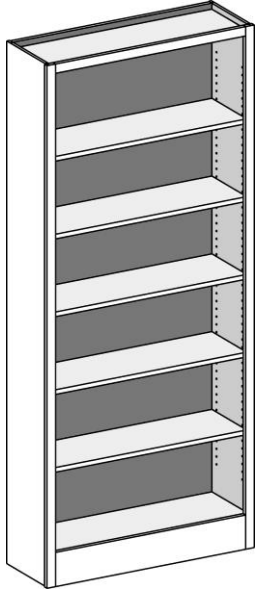
### Cabinet Code

### Cabinet Notes and Information

ORCD2484  
 ORCD2784  
 ORCD3084  
 ORCD3384  
 ORCD3684  
 ORCD2490  
 ORCD2790  
 ORCD3090  
 ORCD3390  
 ORCD3690  
 ORCD2496  
 ORCD2796  
 ORCD3096  
 ORCD3396  
 ORCD3696

- Craftsman Line only
- 24" Deep
- Doors on top section are optional and must be specified (interior will still be matching as standard)
- Lower door section aligns with 34-1/2" base cabinets

# Other Room Shelf



## AVAILABLE OPTIONS

EXTEND STILE	EXPOSED END	FLUSH END	MATCHING INTERIOR
✓	<b>STD</b>	✓	<b>STD</b>
SHAPED TOP RAIL	FLUSH TOE	FLUSH TOE WITH ARCH	
✓	<b>STD</b>	✓	

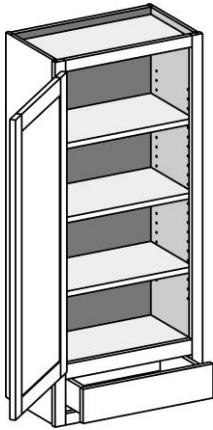
### Cabinet Code

### Cabinet Notes and Information

- ORS1584
- ORS1884
- ORS2184
- ORS2484
- ORS2784
- ORS3084
- ORS3384
- ORS3684
- ORS1590
- ORS1890
- ORS2190
- ORS2490
- ORS2790
- ORS3090
- ORS3390
- ORS3690
- ORS1596
- ORS1896
- ORS2196
- ORS2496
- ORS2796
- ORS3096
- ORS3396
- ORS3696

- Craftsman Line only
- 12-1/2 Deep

# Wall 1 Drawer



## AVAILABLE OPTIONS

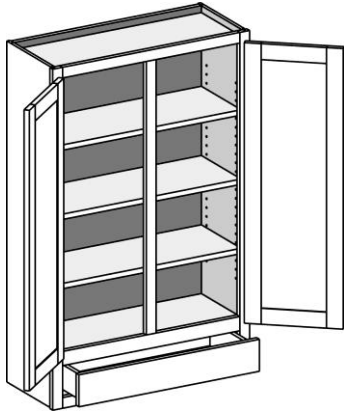
EXTEND STILE	EXPOSED END	FLUSH END	MATCHING INTERIOR
✓	<b>STD</b>	✓	✓
<b>SHAPED TOP RAIL</b>	<b>FLUSH TOE</b>	<b>FLUSH TOE WITH ARCH</b>	
✓			

### Cabinet Code

### Cabinet Notes and Information

W1D1553	<ul style="list-style-type: none"> <li>• Craftsman Line only</li> <li>• 12-1/2 Deep</li> <li>• Available 15-1/2" deep</li> <li>• 65" high unit has four shelves</li> <li>• Drawer front may be slab if under the minimum size for a given drawer front design</li> </ul>
W1D1853	
W1D2153	
W1D2453	
W1D1559	
W1D1859	
W1D2159	
W1D2459	
W1D1565	
W1D1865	
W1D2165	
W1D2465	

# Wall 1 Drawer



## AVAILABLE OPTIONS

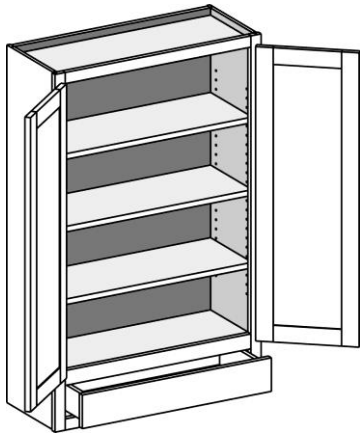
EXTEND STILE	EXPOSED END	FLUSH END	MATCHING INTERIOR
✓	<b>STD</b>	✓	✓
SHAPED TOP RAIL	FLUSH TOE	FLUSH TOE WITH ARCH	

### Cabinet Code

### Cabinet Notes and Information

W1D2753	<ul style="list-style-type: none"> <li>• Craftsman Line only</li> <li>• 12-1/2 Deep</li> <li>• Available 15-1/2" deep</li> <li>• 65" high unit has four shelves</li> <li>• Drawer front may be slab if under the minimum size for a given drawer front design</li> </ul>
W1D3053	
W1D3353	
W1D3653	
W1D2759	
W1D3059	
W1D3359	
W1D3659	
W1D2765	
W1D3065	
W1D3365	
W1D3665	

# Wall 1 Drawer w/ Butt Doors



## AVAILABLE OPTIONS

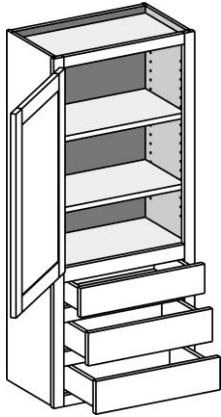
EXTEND STILE	EXPOSED END	FLUSH END	MATCHING INTERIOR
✓	<b>STD</b>	✓	✓
SHAPED TOP RAIL	FLUSH TOE	FLUSH TOE WITH ARCH	
✓			

### Cabinet Code

### Cabinet Notes and Information

W1D2453BD	<ul style="list-style-type: none"> <li>• Craftsman Line only</li> <li>• 12-1/2 Deep</li> <li>• Available 15-1/2" deep</li> <li>• 65" high unit has four shelves</li> <li>• Drawer front may be slab if under the minimum size for a given drawer front design</li> </ul>
W1D2753BD	
W1D3053BD	
W1D3353BD	
W1D3653BD	
W1D2459BD	
W1D2759BD	
W1D3059BD	
W1D3359BD	
W1D3659BD	
W1D2465BD	
W1D2765BD	
W1D3065BD	
W1D3365BD	
W1D3665BD	

# Wall 3 Drawer



## AVAILABLE OPTIONS

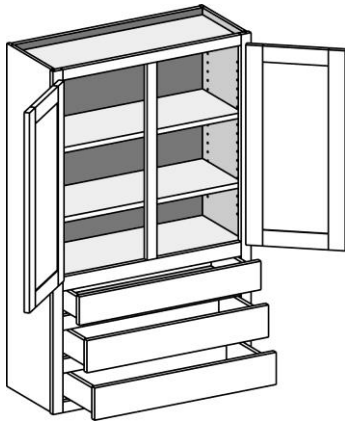
EXTEND STILE	EXPOSED END	FLUSH END	MATCHING INTERIOR
✓	<b>STD</b>	✓	✓
SHAPED TOP RAIL	FLUSH TOE	FLUSH TOE WITH ARCH	
✓			

### Cabinet Code

### Cabinet Notes and Information

W3D1553	<ul style="list-style-type: none"> <li>• Craftsman Line only</li> <li>• 12-1/2 Deep</li> <li>• Available 15-1/2" deep</li> <li>• 65" high unit has four shelves</li> <li>• Drawer front may be slab if under the minimum size for a given drawer front design</li> </ul>
W3D1853	
W3D2153	
W3D2453	
W3D1559	
W3D1859	
W3D2159	
W3D2459	
W3D1565	
W3D1865	
W3D2165	
W3D2465	

# Wall 3 Drawer



## AVAILABLE OPTIONS

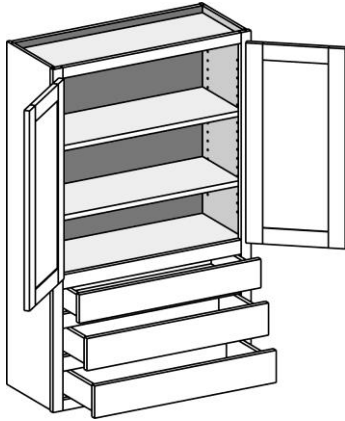
EXTEND STILE	EXPOSED END	FLUSH END	MATCHING INTERIOR
✓	<b>STD</b>	✓	✓
<b>SHAPED TOP RAIL</b>	<b>FLUSH TOE</b>	<b>FLUSH TOE WITH ARCH</b>	

### Cabinet Code

### Cabinet Notes and Information

W3D2753	<ul style="list-style-type: none"> <li>• Craftsman Line only</li> <li>• 12-1/2 Deep</li> <li>• Available 15-1/2" deep</li> <li>• 65" high unit has four shelves</li> <li>• Drawer front may be slab if under the minimum size for a given drawer front design</li> </ul>
W3D3053	
W3D3353	
W3D3653	
W3D2759	
W3D3059	
W3D3359	
W3D3659	
W3D2765	
W3D3065	
W3D3365	
W3D3665	

## Wall 3 Drawer w/ Butt Doors



### AVAILABLE OPTIONS

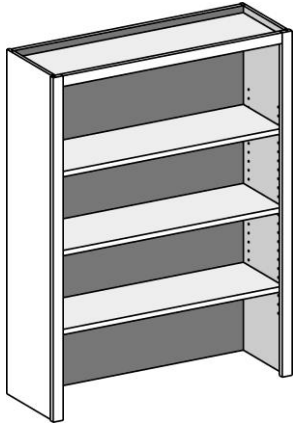
EXTEND STILE	EXPOSED END	FLUSH END	MATCHING INTERIOR
✓	<b>STD</b>	✓	✓
SHAPED TOP RAIL	FLUSH TOE	FLUSH TOE WITH ARCH	
✓			

### Cabinet Code

### Cabinet Notes and Information

W3D2453BD	<ul style="list-style-type: none"> <li>• Craftsman Line only</li> <li>• 12-1/2 Deep</li> <li>• Available 15-1/2" deep</li> <li>• 65" high unit has four shelves</li> <li>• Drawer front may be slab if under the minimum size for a given drawer front design</li> </ul>
W3D2753BD	
W3D3053BD	
W3D3353BD	
W3D3653BD	
W3D2459BD	
W3D2759BD	
W3D3059BD	
W3D3359BD	
W3D3659BD	
W3D2465BD	
W3D2765BD	
W3D3065BD	
W3D3365BD	
W3D3665BD	

# Wall Open Bookshelf



## AVAILABLE OPTIONS

EXTEND STILE	EXPOSED END	FLUSH END	MATCHING INTERIOR
✓	<b>STD</b>	✓	<b>STD</b>
SHAPED TOP RAIL	FLUSH TOE	FLUSH TOE WITH ARCH	
✓			

### Cabinet Code

### Cabinet Notes and Information

WOBS1553	<ul style="list-style-type: none"> <li>• Craftsman Line only</li> <li>• 12-1/2 Deep</li> <li>• Available 15-1/2" deep</li> <li>• 65" high unit has four shelves</li> </ul>
WOBS1853	
WOBS2153	
WOBS2453	
WOBS2753	
WOBS3053	
WOBS3353	
WOBS3653	
WOBS1559	
WOBS1859	
WOBS2159	
WOBS2459	
WOBS2759	
WOBS3059	
WOBS3359	
WOBS3659	
WOBS1565	
WOBS1865	
WOBS2165	
WOBS2465	
WOBS2765	
WOBS3065	
WOBS3365	
WOBS3665	