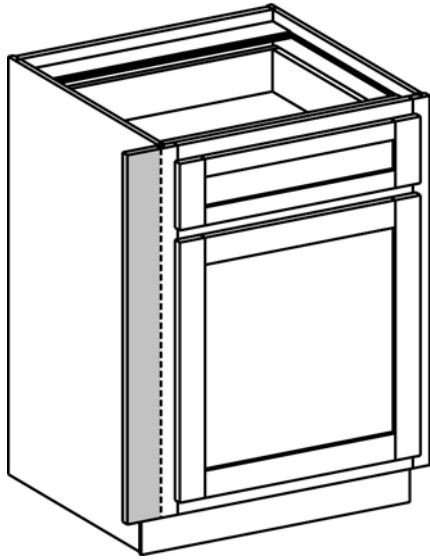
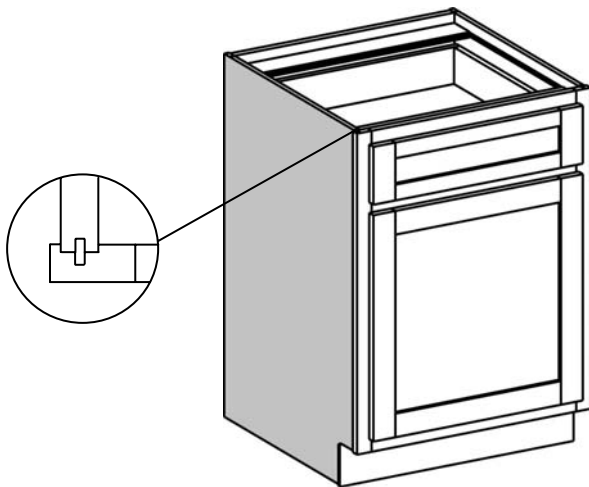


Extended Stiles



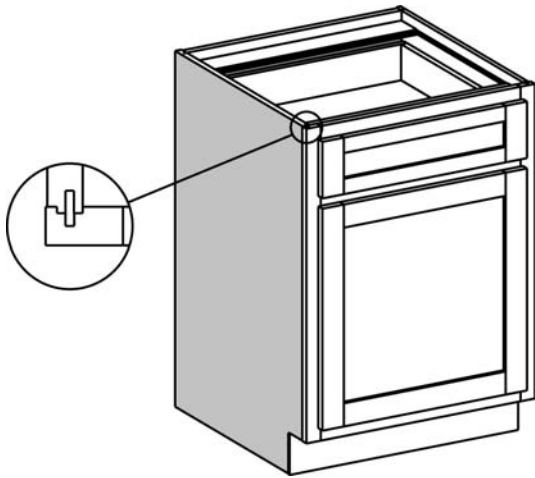
- Add 3" to the left, right or both vertical stiles as an alternative to loose filler strips
- Specify 'ESL' (extend Stile left), 'ESR' (extend stile right), or ESB (extend stile both)
- Total stile width becomes 4-1/2"
- No glue joints in 4-1/2" stile
- Available on most wall, base, tall, vanity and office cabinets.

Exposed Ends



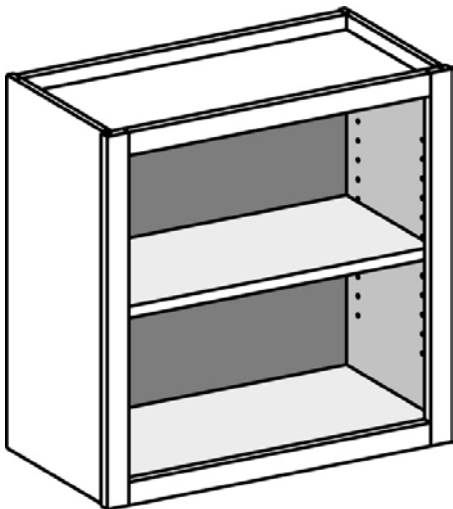
- Standard 1/2" side with 7/32" face frame overhang (see diagram at left) except the side designated as 'exposed' will have a matching Specie Veneer and be finished to match the cabinetry if a finish is requested.
- Available in both Craftsman and Pioneer cabinet lines.
- Specify 'L' (Left), 'R' (Right), or 'B' (Both).
- Soft Maple and Hard Maple cabinets both use Hard Maple ends

Flush Ends



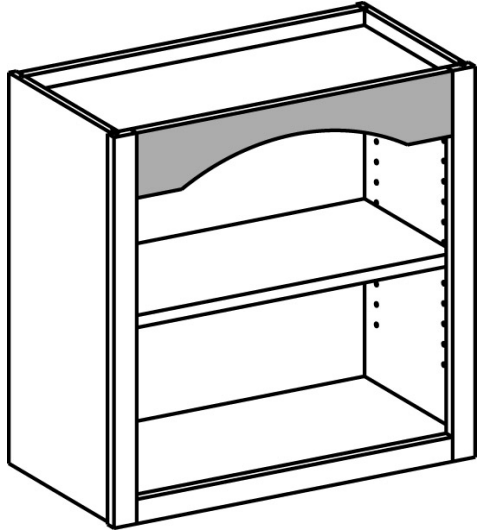
- As opposed to a standard 'exposed' end which leaves a 7/32" face frame over hang, the Flush end option leaves a minimal face frame over hang, creating a virtually 'flush' cabinet side. See diagram at left.
- Matching Specie Veneer on 11/16" thick Cabinet Sides
- Available in both Craftsman line only.
- Specify 'L' (Left), 'R' (Right), or 'B' (Both).
- 1/32" reveal from edge of face frame to surface of the cabinet side.
- Soft Maple and Hard Maple cabinets both use Hard Maple ends

Matching Interior (MI)



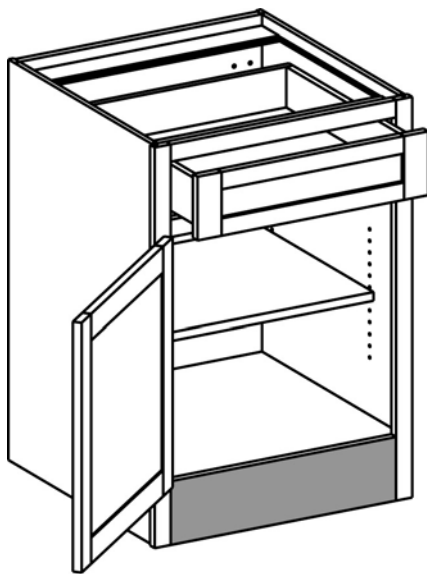
- Cabinets have matching specie interior (sides, tops, bottoms and back).
- If cabinet is ordered finished, interior of matching interior cabinets will be stained/painted/glazed to match exterior.
- Specify MI on order
- Shelves are matching specie 3/4" plywood with wood edge band on front edge.

Shaped Top Rail Roman Arch (STR)



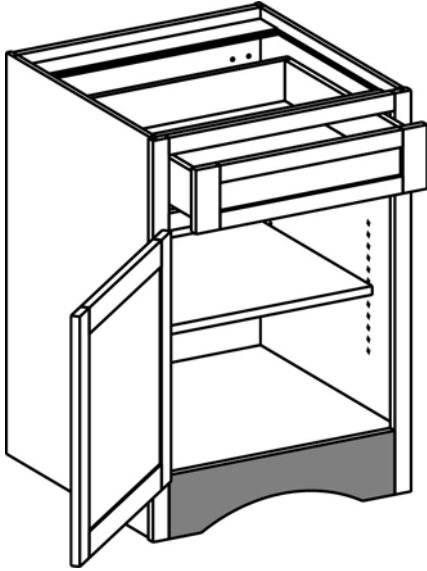
- Roman arch shape is centered on rail
- Specify 'STRRA' on order
- Rail height is 4"
- Available on most wall, base and tall cabinets
- Minimum cabinet width is 15"
- Other arch styles available at extra charge.

Flush Toe (FT)



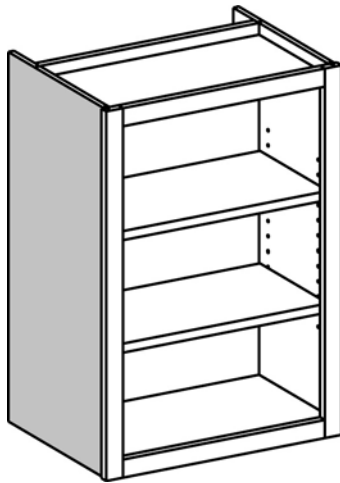
- Bottom rail height is 5-1/2"
- Specify 'FT' on order
- Cabinet side is manufactured without the standard toe notch
- 96" tall cabinets do not use the toe platform
- Available on most base, tall and vanity cabinets
- Home office base cabinets have a 2-1/2" high flush toe as standard (cannot be modified)

Flush Toe with Roman Arch (FTRA)



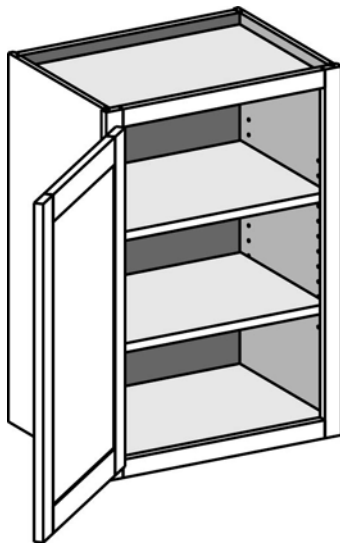
- Roman Arch shape is centered on bottom rail
- Bottom rail height is 5-1/2
- Specify 'FTRA' on order
- Cabinet side is manufactured without the standard toe notch
- 96" tall cabinets do not use the toe platform
- Available on most base, tall and vanity cabinets
- Home office base cabinets have a 2-1/2" high flush toe as standard (cannot be modified)
- Minimum cabinet width is 15"

15-1/2" deep SIDE



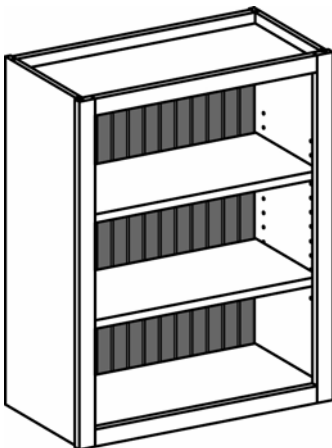
- 15-1/2" deep cabinet side replaces standard 12-1/2" deep cabinet side
- Flush ends are available in Craftsman line only
- Interior depth of cabinet and shelves does not increase
- Available on most 30" , 36" and 42" high wall cabinets
- Additional blocking behind cabinet back may be required in some installation situations.

15-1/2" deep CABINET



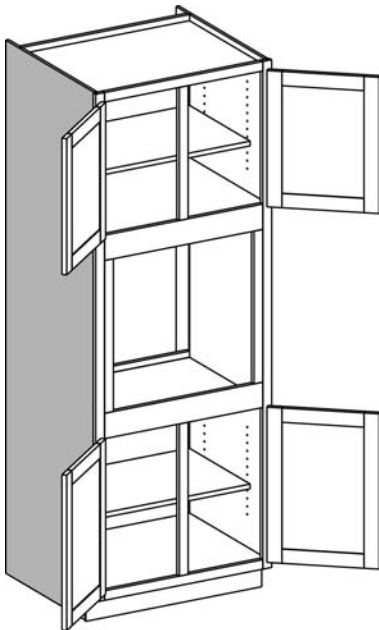
- **3" of additional cabinet space over standard depth wall cabinet**
- **Flush ends are available in Craftsman line only**
- **Available on most wall cabinets except: WAE, WCC, WCD, WCX, WMB, and WPD.**
- **27" x 27" deep corner cabinets are available standard. See the WALL CABINETS download**

Grooved Back



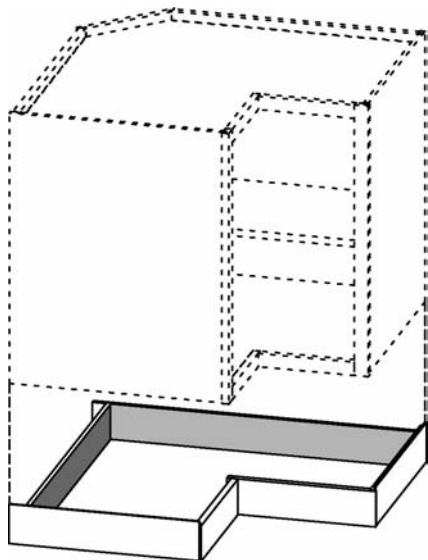
- **1/4" thick grooved back replaces standard back panel**
- **Groove spacing is 1-1/2" on center**
- **Available in Craftsman line with matching interior only**
- **Available on cabinets with 1/4" backs only**

27" Deep Tall Appliance Cabinet side



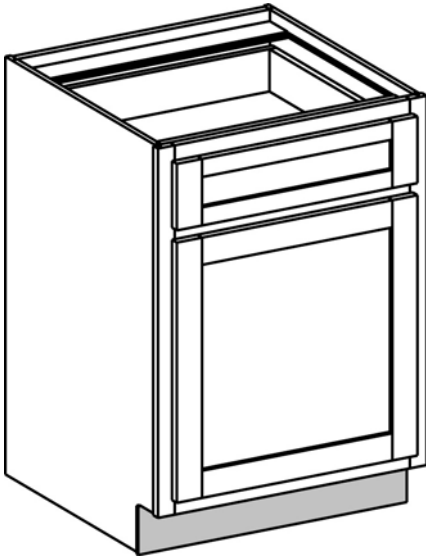
- **27" deep cabinet side replaces 24" deep cabinet side**
- **Flush ends available in Craftsman line only**
- **Interior depth of cabinet and shelves does not increase**
- **Available on RTB, RTL, RTR, OS, ODA and ODB tall cabinets**
- **Additional blocking behind cabinet may be required in some installation situations.**

Loose Toe Platform – 36" Base Corner Cabinets



- **Optional loose toe platform reduces cabinet height by 4" to allow entry through narrow doorways**
- **Available on 36" BCFD, BLS and BSC cabinets**
- **Cabinets with loose toe option must be ordered with solid wood toe boards**

Solid Wood Toe Boards



- **4" high solid wood toe board**
- **Each cabinet has its own solid toe board**
- **Seams will be visible between installed cabinets.**
- **This is the preferred method of covering toe areas in single cabinet applications such as a stand alone vanity.**

Custom Cabinet Size Modifications

- **Most wall cabinets can be modified in width, height and depth in 1/8" increments. Modifications are allowed between 9 to 48" wide, 12 to 48" high, and 5-1/2 to 27" deep. Only standard wall cabinet configurations can be modified for size. Corner cabinets, cabinets with drawers or other accessories such as spice drawers or plate rack cannot be modified.**
- **Standard Base cabinets, sink base cabinets and drawer base cabinets can be modified in width, depth or height. Generally speaking, the width can be modified in 1/8" increments from 12 to 48". Height may only be modified between 31-1/2 and 42" high. Depth must be 18", 21" or 24" deep. Specialty base cabinets such as corner base cabinets, appliance base cabinets, etc cannot be modified.**
- **Tall cabinets can be modified in width from 15 to 36" in 1/8" increments. Height may be modified in 1/8" increments from 84" to 96". Depth may be modified in 1/8" increments from 5-1/2" deep to 27" deep. Only standard tall cabinet configurations can be modified (cabinet codes that start with UC or UCD). Refrigerator, oven, bookcase and other such tall cabinets cannot be modified.**
- **Vanity and Home office cabinets are not able to be modified.**

Size modifications will incur extra charges.

Undermount Drawer Slide Options

STANDARD DRAWER GLIDE: Blum SOLO

- $\frac{3}{4}$ extension epoxy coated undermount glide with rear mount screw in boot
- Not available on POT (pull out trays), wall cabinets with drawers or home office cabinets
- Undermount notch required
- All hardware and instructions are included.

UPGRADE DRAWER GLIDE: Blum Tandem Undermount with Blumotion soft close feature

- Full extension zinc coated steel with rear mount bracket
- Not available on POT (pull out trays), wall cabinets with drawers or home office cabinets
- All hardware and instructions are included

Installation jig kits are available for both undermount drawer slide options. These jigs greatly simplify the installation procedure for your drawer boxes. Specify 2100480A for SOLO jig and 2100485A for TANDEM jig.

Side Mount Slides

- Full extension, Ball bearing glides are standard on all home office cabinets, wall cabinets with drawers and pull out tray kits (POT).
- Not available with base or vanity cabinets
- Instructions and hardware included, but no installation jig is available.

