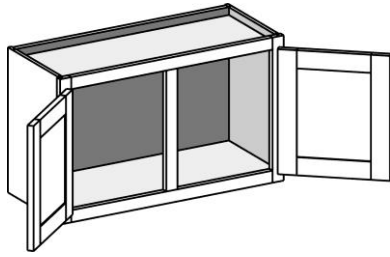


Wall Cabinet

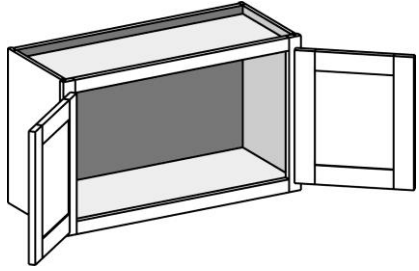


AVAILABLE OPTIONS

EXTEND STILE	EXPOSED END	FLUSH END	MATCHING INTERIOR
✓	✓	✓	✓
SHAPED TOP RAIL	FLUSH TOE	FLUSH TOE WITH ARCH	

Cabinet Code	Cabinet Notes and Information
W3012	<ul style="list-style-type: none"> • All cabinets are listed width x height • All cabinets are 12-1/2" deep as standard unless specified otherwise. 15-1/2" deep cabinet or 15-1/2" deep cabinet side options are available.
W3312	
W3612	
W3912	
W4212	
W4812	
W2715	
W3015	
W3315	
W3615	
W3915	
W4215	
W4815	
W2718	
W3018	
W3318	
W3618	
W3918	
W4218	
W4818	

Wall Cabinet w/Butt Doors

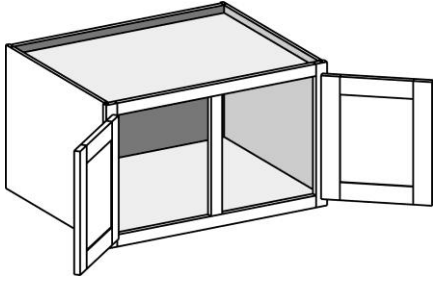


AVAILABLE OPTIONS

EXTEND STILE	EXPOSED END	FLUSH END	MATCHING INTERIOR
✓	✓	✓	✓
SHAPED TOP RAIL	FLUSH TOE	FLUSH TOE WITH ARCH	
✓			

Cabinet Code	Cabinet Notes and Information
W3012BD	<ul style="list-style-type: none"> • All cabinets listed width x height • All cabinets are 12-1/2" deep as standard. 15-1/2" deep cabinet or 15-1/2" deep cabinet side options are available
W3312BD	
W3612BD	
W2715BD	
W3015BD	
W3315BD	
W3615BD	
W2718BD	
W3018BD	
W3318BD	
W3618BD	

Wall Deep Cabinet



AVAILABLE OPTIONS

EXTEND STILE	EXPOSED END	FLUSH END	MATCHING INTERIOR
✓	✓	✓	✓
SHAPED TOP RAIL	FLUSH TOE	FLUSH TOE WITH ARCH	

- 21" high and 24" high has one shelf and 27" high has 2 shelves

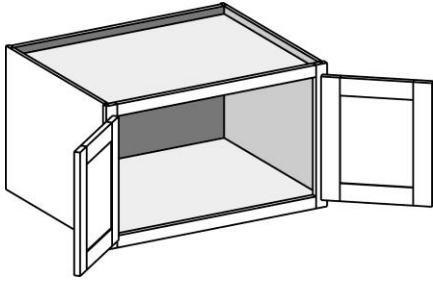
Cabinet Code

Cabinet Notes and Information

WD3012
WD3312
WD3612
WD3912
WD4212
WD4512
WD4812
WD3015
WD3315
WD3615
WD3915
WD3018
WD3318
WD3618
WD3918
WD3021
WD3321
WD3621
WD3921
WD3024
WD3324
WD3624
WD3924
WD3027
WD3327
WD3627
WD3927

- All cabinets listed width x height
- All cabinets are 24" deep as standard. No other depth options are available.
- 21" high and 24" high has one shelf and 27" high has 2 shelves
- **TIP: As an alternative to using a deep cabinet over your refrigerator, consider using the RTL, RTR or RTB cabinet option found in the TALL CABINETS Section. This cabinet provides a more built in look and integrates the side panels into the refrigerator cabinet for an easier install.**

Wall Deep Cabinet w/Butt Doors



AVAILABLE OPTIONS

EXTEND STILE	EXPOSED END	FLUSH END	MATCHING INTERIOR
✓	✓	✓	✓
SHAPED TOP RAIL	FLUSH TOE	FLUSH TOE WITH ARCH	
✓			

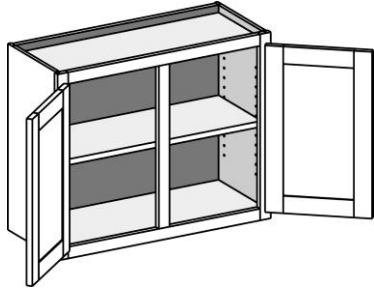
Cabinet Code

Cabinet Notes and Information

WD3012BD
 WD3312BD
 WD3612BD
 WD3015BD
 WD3315BD
 WD3615BD
 WD3018BD
 WD3318BD
 WD3618BD
 WD3021BD
 WD3321BD
 WD3621BD
 WD3024BD
 WD3324BD
 WD3624BD
 WD3027BD
 WD3327BD
 WD3627BD

- All cabinets listed width x height
- All cabinets are 24" deep as standard. No other depth options are available.
- 21" high and 24" high has one shelf and 27" high has 2 shelves
- **TIP: As an alternative to using a deep cabinet over your refrigerator, consider using the RTL, RTR or RTB cabinet option found in the TALL CABINETS Section. This cabinet provides a more built in look and integrates the side panels into the refrigerator cabinet for an easier install.**

Wall Cabinet



AVAILABLE OPTIONS

EXTEND STILE	EXPOSED END	FLUSH END	MATCHING INTERIOR
✓	✓	✓	✓
SHAPED TOP RAIL	FLUSH TOE	FLUSH TOE WITH ARCH	

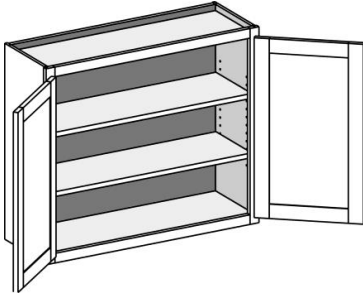
Cabinet Code

Cabinet Notes and Information

W2721
W3021
W3321
W3621
W3921
W4221
W4521
W4821
W2724
W3024
W3324
W3624
W3924
W4224
W4524
W3027
W3327
W3627

- All cabinets listed width x height
- All cabinets are 12-1/2" deep as standard. 15-1/2" deep cabinet or 15-1/2" deep cabinet side options are available
- 27" high has 2 shelves

Wall Cabinet w/Butt Doors



AVAILABLE OPTIONS

EXTEND STILE	EXPOSED END	FLUSH END	MATCHING INTERIOR
✓	✓	✓	✓
SHAPED TOP RAIL	FLUSH TOE	FLUSH TOE WITH ARCH	
✓			

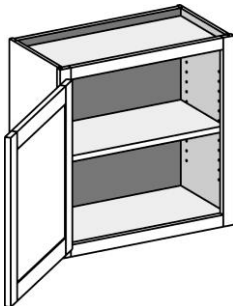
Cabinet Code

Cabinet Notes and Information

W2721BD
 W3021BD
 W3321BD
 W3621BD
 W2724BD
 W3024BD
 W3324BD
 W3624BD
 W3027BD
 W3327BD
 W3627BD

- All cabinets listed width x height
- All cabinets are 12-1/2" deep as standard. 15-1/2" deep cabinet or 15-1/2" deep cabinet side options are available
- 27" high has 2 shelves

Wall Cabinet



AVAILABLE OPTIONS

EXTEND STILE	EXPOSED END	FLUSH END	MATCHING INTERIOR
✓	✓	✓	✓
SHAPED TOP RAIL	FLUSH TOE	FLUSH TOE WITH ARCH	
✓			

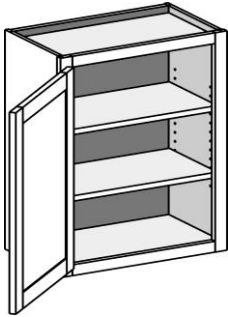
Cabinet Code

Cabinet Notes and Information

W2421
 W2424

- All cabinets listed width x height
- All cabinets are 12-1/2" deep as standard. 15-1/2" deep cabinet or 15-1/2" deep cabinet side options are available

Wall Cabinet



AVAILABLE OPTIONS

EXTEND STILE	EXPOSED END	FLUSH END	MATCHING INTERIOR
✓	✓	✓	✓
SHAPED TOP RAIL	FLUSH TOE	FLUSH TOE WITH ARCH	
✓			

- 42" high has 3 shelves
- STR not available on 9" and 12" wide cabinets

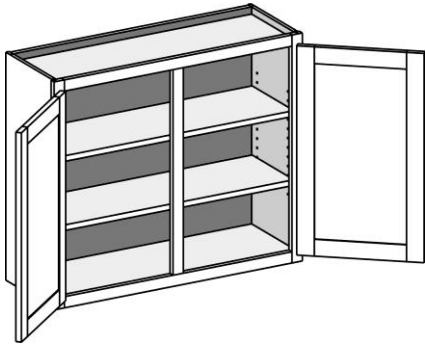
Cabinet Code

Cabinet Notes and Information

W0930
W1230
W1530
W1830
W2130
W2430
W0936
W1236
W1536
W1836
W2136
W2436
W0942
W1242
W1542
W1842
W2142
W2442

- All cabinets listed width x height
- All cabinets are 12-1/2" deep as standard. 15-1/2" deep cabinet or 15-1/2" deep cabinet side options are available
- 42" high has 3 shelves
- STR not available on 9" and 12" wide cabinets

Wall Cabinet



AVAILABLE OPTIONS

EXTEND STILE	EXPOSED END	FLUSH END	MATCHING INTERIOR
✓	✓	✓	✓
SHAPED TOP RAIL	FLUSH TOE	FLUSH TOE WITH ARCH	

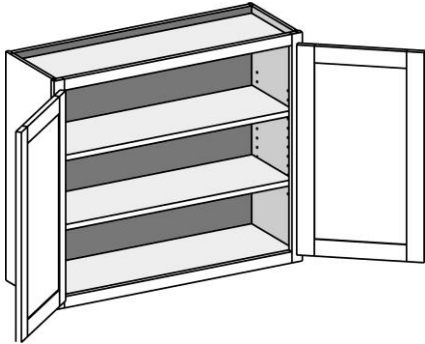
Cabinet Code

Cabinet Notes and Information

W2730
W3030
W3330
W3630
W3930
W4230
W4530
W4830
W2736
W3036
W3336
W3636
W3936
W4236
W4536
W4836
W2742
W3042
W3342
W3642
W3942
W4242
W4542
W4842

- All cabinets listed width x height
- All cabinets are 12-1/2" deep as standard. 15-1/2" deep cabinet or 15-1/2" deep cabinet side options are available
- 42" high has 3 shelves

Wall Cabinet w/Butt Doors

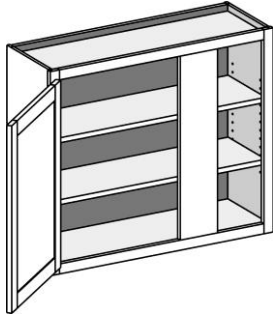


AVAILABLE OPTIONS

EXTEND STILE	EXPOSED END	FLUSH END	MATCHING INTERIOR
✓	✓	✓	✓
SHAPED TOP RAIL	FLUSH TOE	FLUSH TOE WITH ARCH	
✓			

Cabinet Code	Cabinet Notes and Information
W2430BD	<ul style="list-style-type: none"> • All cabinets listed width x height • All cabinets are 12-1/2" deep as standard. 15-1/2" deep cabinet or 15-1/2" deep cabinet side options are available • 42" high has 3 shelves
W2730BD	
W3030BD	
W3330BD	
W3630BD	
W2436BD	
W2736BD	
W3036BD	
W3336BD	
W3636BD	
W2442BD	
W2742BD	
W3042BD	
W3342BD	
W3642BD	

Wall Blind Corner Single Entry



AVAILABLE OPTIONS

EXTEND STILE	EXPOSED END	FLUSH END	MATCHING INTERIOR
	✓	✓	✓
SHAPED TOP RAIL	FLUSH TOE	FLUSH TOE WITH ARCH	

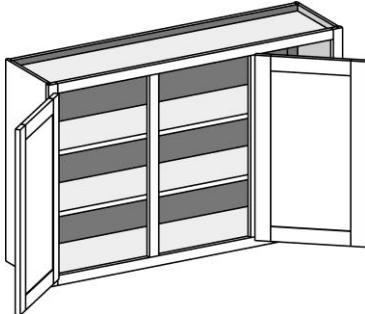
Cabinet Code

Cabinet Notes and Information

WBC2721
WBC3621
WBC2730
WBC3030
WBC3630
WBC2736
WBC3036
WBC3636
WBC2742
WBC3042
WBC3642

- All cabinets listed width x height
- All cabinets are 12-1/2" deep as standard. 15-1/2" deep cabinet or 15-1/2" deep cabinet side options are available
- Units are reversible (left or right)
- 21" high has one shelf
- 42" high has 3 shelves
- **TIP: Always be sure to allow space between your blind corner cabinet and the cabinet in the opposing run. This is necessary to provide clearance for doors to open. We suggest using the extended stil option on the cabinet going AGAINST the blind corner or simply use a space filler in the corner.**

Wall Blind Corner Single Entry



AVAILABLE OPTIONS

EXTEND STILE	EXPOSED END	FLUSH END	MATCHING INTERIOR
	✓	✓	✓
SHAPED TOP RAIL	FLUSH TOE	FLUSH TOE WITH ARCH	

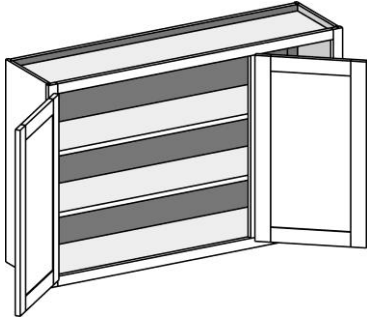
Cabinet Code

Cabinet Notes and Information

WBC4230
WBC4830
WBC4236
WBC4836
WBC4242
WBC4842

- All cabinets listed width x height
- All cabinets are 12-1/2" deep as standard. 15-1/2" deep cabinet or 15-1/2" deep cabinet side options are available
- 42" high has 3 shelves
- Units are reversible (left or right)
- **TIP: Always be sure to allow space between your blind corner cabinet and the cabinet in the opposing run. This is necessary to provide clearance for doors to open. We suggest using the extended stil option on the cabinet going AGAINST the blind corner or simply use a space filler in the corner.**

Wall Blind Corner Single Entry w/Butt Doors



AVAILABLE OPTIONS

EXTEND STILE	EXPOSED END	FLUSH END	MATCHING INTERIOR
	✓	✓	✓
SHAPED TOP RAIL	FLUSH TOE	FLUSH TOE WITH ARCH	

Cabinet Code

Cabinet Notes and Information

WBC4230BD

WBC4830BD

WBC4236BD

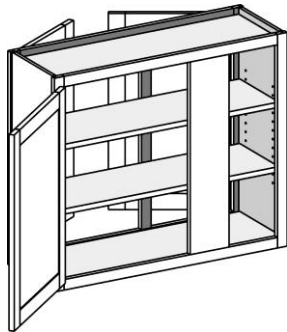
WBC4836BD

WBC4242BD

WBC4842BD

- All cabinets listed width x height
- All cabinets are 12-1/2" deep as standard. 15-1/2" deep cabinet or 15-1/2" deep cabinet side options are available
- 42" high has 3 shelves
- Units are reversible (left or right)
- **TIP: Always be sure to allow space between your blind corner cabinet and the cabinet in the opposing run. This is necessary to provide clearance for doors to open. We suggest using the extended stil option on the cabinet going AGAINST the blind corner or simply use a space filler in the corner.**

Wall Blind Corner Double Entry



AVAILABLE OPTIONS

EXTEND STILE	EXPOSED END	FLUSH END	MATCHING INTERIOR
	✓	✓	✓
SHAPED TOP RAIL	FLUSH TOE	FLUSH TOE WITH ARCH	

Cabinet Code

Cabinet Notes and Information

WBD2721

WBD3621

WBD2730

WBD3630

WBD2736

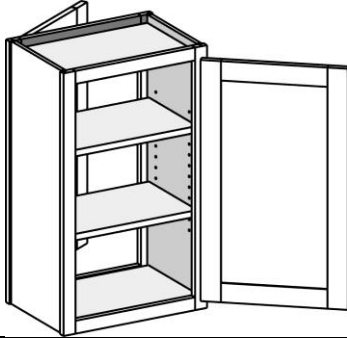
WBD3636

WBD2742

WBD3642

- All cabinets listed width x height
- All cabinets are 12-1/2" deep as standard.
- 21" high has one shelf
- 42" high has 3 shelves
- Units are reversible
- **TIP: Always be sure to allow space between your blind corner cabinet and the cabinet in the opposing run. This is necessary to provide clearance for doors to open. We suggest using the extended stil option on the cabinet going AGAINST the blind corner or simply use a space filler in the corner.**

Wall Double Entry



AVAILABLE OPTIONS

EXTEND STILE	EXPOSED END	FLUSH END	MATCHING INTERIOR
✓	✓	✓	✓
SHAPED TOP RAIL	FLUSH TOE	FLUSH TOE WITH ARCH	
✓			

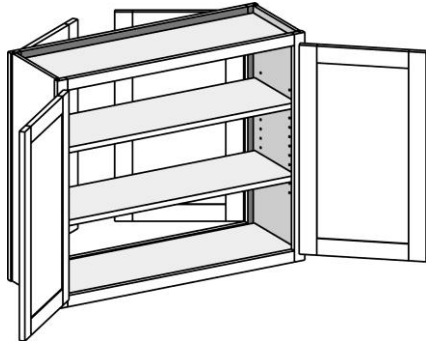
Cabinet Code

Cabinet Notes and Information

WDE1821
WDE2421
WDE1830
WDE2430
WDE1836
WDE2436
WDE1842
WDE2442

- All cabinets listed width x height
- All cabinets are 12-1/2" deep as standard.
- 21" high has one shelf
- 42" high has 3 shelves

Wall Double Entry w/Butt Doors



AVAILABLE OPTIONS

EXTEND STILE	EXPOSED END	FLUSH END	MATCHING INTERIOR
✓	✓	✓	✓
SHAPED TOP RAIL	FLUSH TOE	FLUSH TOE WITH ARCH	
✓			

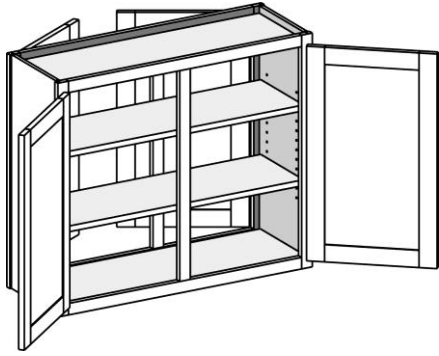
Cabinet Code

Cabinet Notes and Information

WDE2421BD
WDE2721BD
WDE3621BD
WDE2430BD
WDE2730BD
WDE3030BD
WDE3630BD
WDE2436BD
WDE2736BD
WDE3636BD
WDE2442BD
WDE2742BD
WDE3642BD

- All cabinets listed width x height
- All cabinets are 12-1/2" deep as standard
- 21" high has one shelf
- 42" high has 3 shelves

Wall Double Entry



AVAILABLE OPTIONS

EXTEND STILE	EXPOSED END	FLUSH END	MATCHING INTERIOR
✓	✓	✓	✓
SHAPED TOP RAIL	FLUSH TOE	FLUSH TOE WITH ARCH	

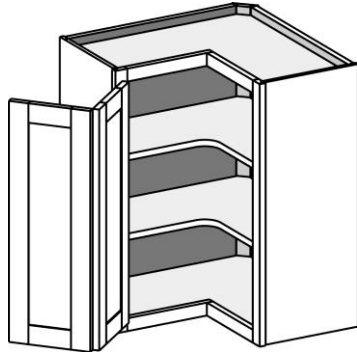
Cabinet Code

Cabinet Notes and Information

WDE2721
WDE3621
WDE2730
WDE3030
WDE3630
WDE2736
WDE3636
WDE2742
WDE3642

- All cabinets listed width x height
- All cabinets are 12-1/2" deep as standard.
- 21" high has one shelf
- 42" high has 3 shelves

Wall Corner Pie Cut



AVAILABLE OPTIONS

EXTEND STILE	EXPOSED END	FLUSH END	MATCHING INTERIOR
✓	✓	✓	✓
SHAPED TOP RAIL	FLUSH TOE	FLUSH TOE WITH ARCH	

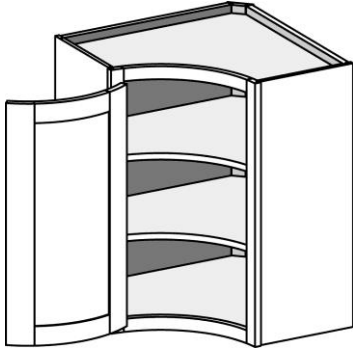
Cabinet Code

Cabinet Notes and Information

WCP2430
WCP2730
WCP2436
WCP2736
WCP2442
WCP2742

- All cabinets listed width x height. Width is calculated out of the corner to either side of the cabinet.
- WCP24 cabinets are 12-1/2" deep, WCP27 units are 15-1/2" deep
- 42" high has 3 shelves
- Soss hinge for jointing doors is included
- **Consider this cabinet for ideal storage in corners that often end being underutilized in many kitchen designs!**

Wall Corner Concave



AVAILABLE OPTIONS

EXTEND STILE	EXPOSED END	FLUSH END	MATCHING INTERIOR
✓	✓	✓	✓
SHAPED TOP RAIL	FLUSH TOE	FLUSH TOE WITH ARCH	
✓			

Cabinet Code

Cabinet Notes and Information

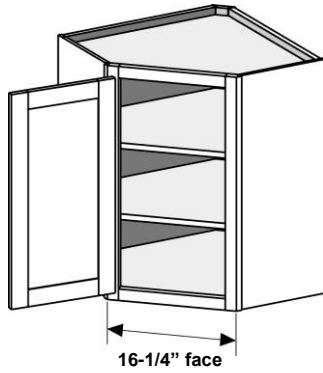
WCC2430

WCC2436

WCC2442

- All cabinets listed width x height. Width is calculated out of the corner to either side of the cabinet.
- All cabinets are 12-1/2" deep as standard
- Craftsman line only
- 12-3/8" radius on face of front frame
- 42" high has 3 shelves
- Doors require extra lead time
- Quotes require extra processing time
- Not all door designs available

Wall Diagonal Corner Single Entry



AVAILABLE OPTIONS

EXTEND STILE	EXPOSED END	FLUSH END	MATCHING INTERIOR
	✓	✓	✓
SHAPED TOP RAIL	FLUSH TOE	FLUSH TOE WITH ARCH	

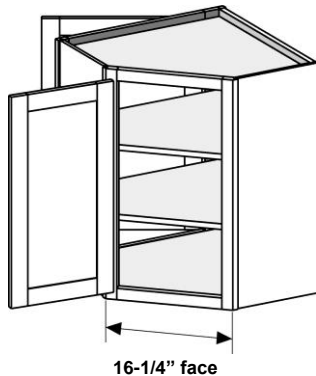
Cabinet Code

Cabinet Notes and Information

WCS2430
WCS2730
WCS2436
WCS2736
WCS2442
WCS2742

- All cabinets listed width x height. Width is calculated out of the corner to either side of the cabinet.
- WCS 24 cabinets are 12-1/2" deep. WCS27 cabinets are 15-1/2" deep
- Optional polymer lazy susan or wood lazy susan trays available.
- 42" high has 3 shelves
- Uses 1/2" overlay hinges regardless of actual overlay ordered

Wall Diagonal Corner Double Entry



AVAILABLE OPTIONS

EXTEND STILE	EXPOSED END	FLUSH END	MATCHING INTERIOR
	✓	✓	✓
SHAPED TOP RAIL	FLUSH TOE	FLUSH TOE WITH ARCH	

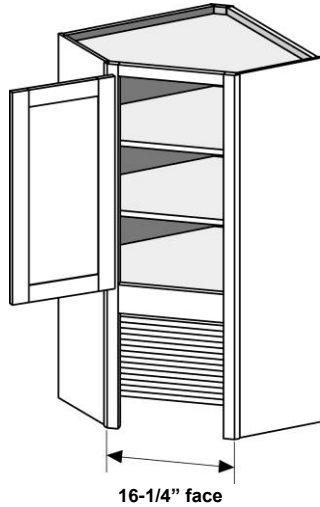
Cabinet Code

Cabinet Notes and Information

WCD2430
WCD2436
WCD2442

- All cabinets listed width x height. Width is calculated out of the corner to either side of the cabinet.
- Cabinets are 12-1/2" deep as Standard.
- Optional polymer lazy susan or wood lazy susan trays available.
- 42" high has 3 shelves
- Angled door uses 1/2" overlay hinges regardless of actual overlay ordered

Wall Corner Appliance Garage



AVAILABLE OPTIONS

EXTEND STILE	EXPOSED END	FLUSH END	MATCHING INTERIOR
	STD	✓	✓
SHAPED TOP RAIL	FLUSH TOE	FLUSH TOE WITH ARCH	

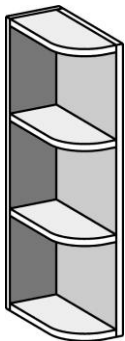
Cabinet Code

Cabinet Notes and Information

WCA2448
WCA2748
WCA2454
WCA2754
WCA2460
WCA2760

- All cabinets listed width x height. Width is calculated out of the corner to either side of the cabinet.
- WCS 24 cabinets are 12-1/2" deep. WCS27 cabinets are 15-1/2" deep
- Optional polymer lazy susan (48" high only) or wood lazy susan trays available.
- Tambour door standard. Optional matching door for bottom opening available.
- 60" high has 3 shelves
- Uses 1/2" overlay hinges regardless of actual overlay ordered

Wall Open Shelf



AVAILABLE OPTIONS

EXTEND STILE	EXPOSED END	FLUSH END	MATCHING INTERIOR
			STD
SHAPED TOP RAIL	FLUSH TOE	FLUSH TOE WITH ARCH	

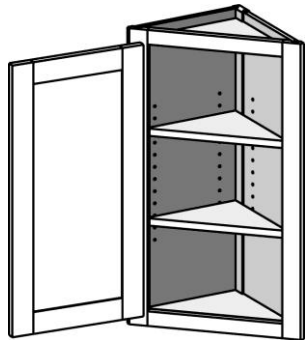
Cabinet Code

Cabinet Notes and Information

WOS0630
WOS0636
WOS0642

- All cabinets listed width x height.
- Cabinets are 12-1/2" deep
- Craftsman line only
- Reversible left or right
- 3/4" matching specie plywood with dowel construction
- Exposed edges banded with matching specie veneer
- **TIP: Plan your crown and light rail application ahead of time as these cabinets use radius top and bottom panels, challenging trim application! We have suggestions, just give us a call!**

Wall Angle End



AVAILABLE OPTIONS

EXTEND STILE	EXPOSED END	FLUSH END	MATCHING INTERIOR
			✓
SHAPED TOP RAIL	FLUSH TOE	FLUSH TOE WITH ARCH	

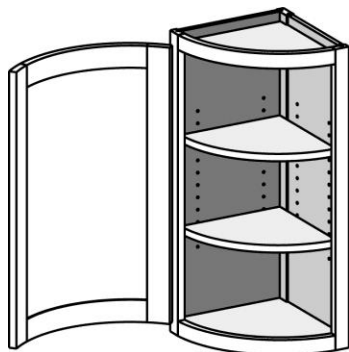
Cabinet Code

Cabinet Notes and Information

WAE1230
WAE1236
WAE1242

- All cabinets listed width x height.
- Cabinets are 12-1/2" deep
- Reversible left or right
- 42" high has 3 shelves

Wall Corner Convex



AVAILABLE OPTIONS

EXTEND STILE	EXPOSED END	FLUSH END	MATCHING INTERIOR
			✓
SHAPED TOP RAIL	FLUSH TOE	FLUSH TOE WITH ARCH	

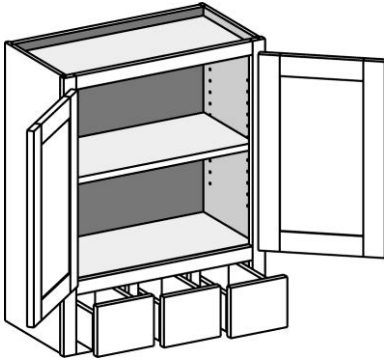
Cabinet Code

Cabinet Notes and Information

WCX1230
WCX1236
WCX1242

- Craftsman Line only
- All cabinets listed width x height.
- Cabinets are 12-1/2" deep
- Reversible left or right
- 42" high has 3 shelves
- Door requires extra lead time
- Quotes require extra processing time

Wall Spice Drawer w/Butt Doors



AVAILABLE OPTIONS

EXTEND STILE	EXPOSED END	FLUSH END	MATCHING INTERIOR
✓	✓	✓	✓
SHAPED TOP RAIL	FLUSH TOE	FLUSH TOE WITH ARCH	
✓			

Cabinet Code

WSD2430BD

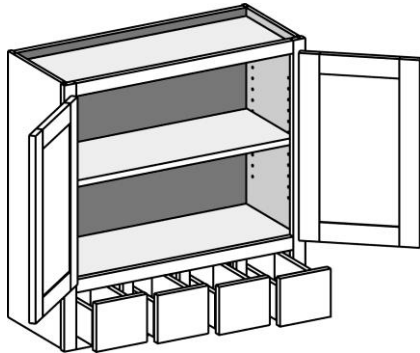
WSD2436BD

WSD2442BD

Cabinet Notes and Information

- All cabinets listed width x height.
- Cabinets are 12-1/2" deep
- 42" high has 3 shelves
- No drawer slides
- **TIP: In addition to adding a unique design touch, these are great cabinets for desk areas and are ideal for storing small items like pens, letter openers, keys, etc.**

Wall Spice Drawer w/Butt Doors



AVAILABLE OPTIONS

EXTEND STILE	EXPOSED END	FLUSH END	MATCHING INTERIOR
✓	✓	✓	✓
SHAPED TOP RAIL	FLUSH TOE	FLUSH TOE WITH ARCH	
✓			

Cabinet Code

WSD3030BD

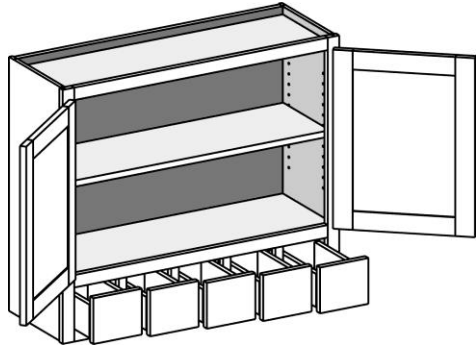
WSD3036BD

WSD3042BD

Cabinet Notes and Information

- All cabinets listed width x height.
- Cabinets are 12-1/2" deep
- 42" high has 3 shelves
- No drawer slides
- **TIP: In addition to adding a unique design touch, these are great cabinets for desk areas and are ideal for storing small items like pens, letter openers, keys, etc.**

Wall Spice Drawer w/Butt Doors



AVAILABLE OPTIONS

EXTEND STILE	EXPOSED END	FLUSH END	MATCHING INTERIOR
✓	✓	✓	✓
SHAPED TOP RAIL	FLUSH TOE	FLUSH TOE WITH ARCH	
✓			

Cabinet Code

WSD3630BD

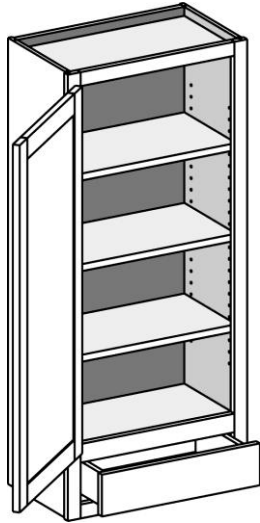
WSD3636BD

WSD3642BD

Cabinet Notes and Information

- All cabinets listed width x height.
- Cabinets are 12-1/2" deep
- 42" high has 3 shelves
- No drawer slides
- **TIP: In addition to adding a unique design touch, these are great cabinets for desk areas and are ideal for storing small items like pens, letter openers, keys, etc.**

Wall 1 Drawer



AVAILABLE OPTIONS

EXTEND STILE	EXPOSED END	FLUSH END	MATCHING INTERIOR
✓	STD	✓	✓
SHAPED TOP RAIL	FLUSH TOE	FLUSH TOE WITH ARCH	
✓			

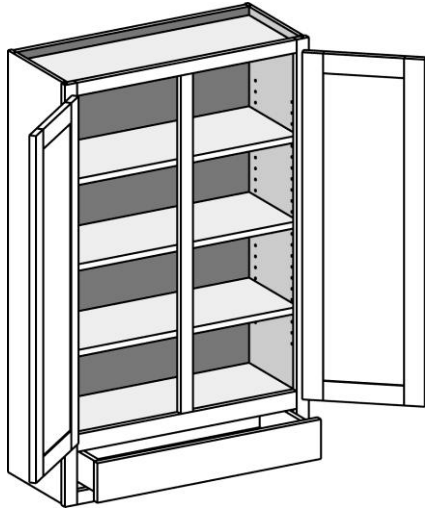
Cabinet Code

Cabinet Notes and Information

W1D1548
 W1D1848
 W1D2148
 W1D2448
 W1D1554
 W1D1854
 W1D2154
 W1D2454
 W1D1560
 W1D1860
 W1D2160
 W1D2460

- All cabinets listed width x height.
- Cabinets are 12-1/2" deep
- 60" high has four shelves
- Drawer front may be slab depending on drawer front design ordered (under minimum)
- **TIP: These are great cabinet to create a 'hutch' treatment. Consider surrounding a window and running a valance between the cabinets or perhaps setting aside a 'non-work area' in the kitchen as a wet bar and flank a wine rack cabinet with these cabinets. Because they set on the countertop, they help 'anchor' any run of cabinets and lend visual interest to your design. Lastly, consider using in a master bath between 2 sink base cabinets. They make great linen and toiletry storage while again adding visual interest to your bath design.**

Wall 1 Drawer



AVAILABLE OPTIONS

EXTEND STILE	EXPOSED END	FLUSH END	MATCHING INTERIOR
✓	STD	✓	✓
SHAPED TOP RAIL	FLUSH TOE	FLUSH TOE WITH ARCH	

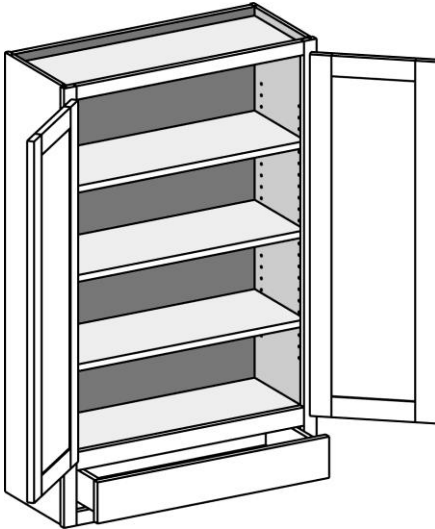
Cabinet Code

Cabinet Notes and Information

W1D2748
 W1D3048
 W1D3348
 W1D3648
 W1D2754
 W1D3054
 W1D3354
 W1D3654
 W1D2760
 W1D3060
 W1D3360
 W1D3660

- All cabinets listed width x height.
- Cabinets are 12-1/2" deep
- 60" high has four shelves
- Drawer front may be slab depending on drawer front design ordered (under minimum)
- **TIP: These are great cabinet to create a 'hutch' treatment. Consider surrounding a window and running a valance between the cabinets or perhaps setting aside a 'non-work area' in the kitchen as a wet bar and flank a wine rack cabinet with these cabinets. Because they set on the countertop, they help 'anchor' any run of cabinets and lend visual interest to your design. Lastly, consider using in a master bath between 2 sink base cabinets. They make great linen and toiletry storage while again adding visual interest to your bath design.**

Wall 1 Drawer w/Butt Doors



AVAILABLE OPTIONS

EXTEND STILE	EXPOSED END	FLUSH END	MATCHING INTERIOR
✓	STD	✓	✓
SHAPED TOP RAIL	FLUSH TOE	FLUSH TOE WITH ARCH	
✓			

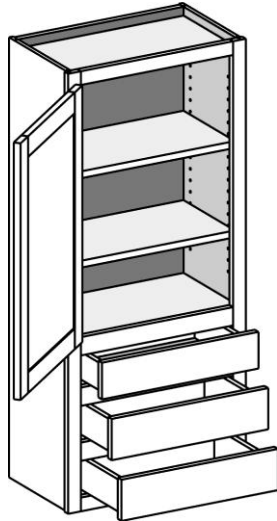
Cabinet Code

Cabinet Notes and Information

W1D2448BD
 W1D2748BD
 W1D3048BD
 W1D3348BD
 W1D3648BD
 W1D2454BD
 W1D2754BD
 W1D3054BD
 W1D3354BD
 W1D3654BD
 W1D2460BD
 W1D2760BD
 W1D3060BD
 W1D3360BD
 W1D3660BD

- All cabinets listed width x height.
- Cabinets are 12-1/2" deep
- 60" high has four shelves
- Drawer front may be slab depending on drawer front design ordered (under minimum)
- **TIP: These are great cabinet to create a 'hutch' treatment. Consider surrounding a window and running a valance between the cabinets or perhaps setting aside a 'non-work area' in the kitchen as a wet bar and flank a wine rack cabinet with these cabinets. Because they set on the countertop, they help 'anchor' any run of cabinets and lend visual interest to your design. Lastly, consider using in a master bath between 2 sink base cabinets. They make great linen and toiletry storage while again adding visual interest to your bath design.**

Wall 3 Drawer



AVAILABLE OPTIONS

EXTEND STILE	EXPOSED END	FLUSH END	MATCHING INTERIOR
✓	STD	✓	✓
SHAPED TOP RAIL	FLUSH TOE	FLUSH TOE WITH ARCH	
✓			

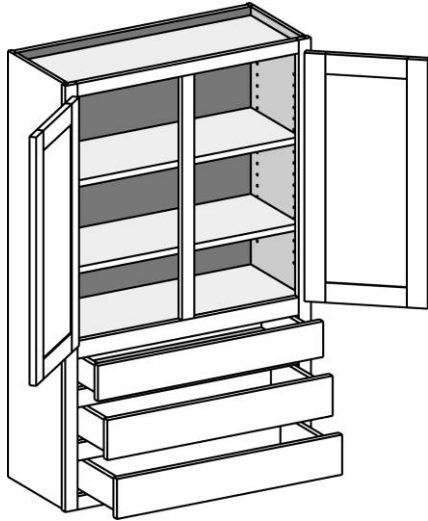
Cabinet Code

Cabinet Notes and Information

W3D1548
 W3D1848
 W3D2148
 W3D2448
 W3D1554
 W3D1854
 W3D2154
 W3D2454
 W3D1560
 W3D1860
 W3D2160
 W3D2460

- All cabinets listed width x height.
- Cabinets are 12-1/2" deep
- 60" high has four shelves
- Drawer front may be slab depending on drawer front design ordered (under minimum)
- **TIP: These are great cabinet to create a 'hutch' treatment. Consider surrounding a window and running a valance between the cabinets or perhaps setting aside a 'non-work area' in the kitchen as a wet bar and flank a wine rack cabinet with these cabinets. Because they set on the countertop, they help 'anchor' any run of cabinets and lend visual interest to your design. Lastly, consider using in a master bath between 2 sink base cabinets. They make great linen and toiletry storage while again adding visual interest to your bath design.**

Wall 3 Drawer



AVAILABLE OPTIONS

EXTEND STILE	EXPOSED END	FLUSH END	MATCHING INTERIOR
✓	STD	✓	✓
SHAPED TOP RAIL	FLUSH TOE	FLUSH TOE WITH ARCH	

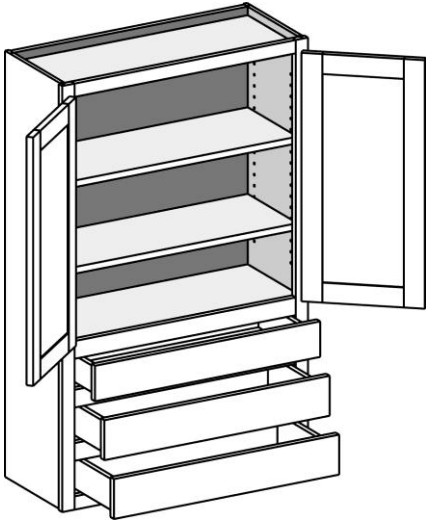
Cabinet Code

Cabinet Notes and Information

W3D2748
 W3D3048
 W3D3348
 W3D3648
 W3D2754
 W3D3054
 W3D3354
 W3D3654
 W3D2760
 W3D3060
 W3D3360
 W3D3660

- All cabinets listed width x height.
- Cabinets are 12-1/2" deep
- 60" high has four shelves
- Drawer front may be slab depending on drawer front design ordered (under minimum)
- **TIP: These are great cabinet to create a 'hutch' treatment. Consider surrounding a window and running a valance between the cabinets or perhaps setting aside a 'non-work area' in the kitchen as a wet bar and flank a wine rack cabinet with these cabinets. Because they set on the countertop, they help 'anchor' any run of cabinets and lend visual interest to your design. Lastly, consider using in a master bath between 2 sink base cabinets. They make great linen and toiletry storage while again adding visual interest to your bath design.**

Wall 1 Drawer w/Butt Doors



AVAILABLE OPTIONS

EXTEND STILE	EXPOSED END	FLUSH END	MATCHING INTERIOR
✓	STD	✓	✓
SHAPED TOP RAIL	FLUSH TOE	FLUSH TOE WITH ARCH	
✓			

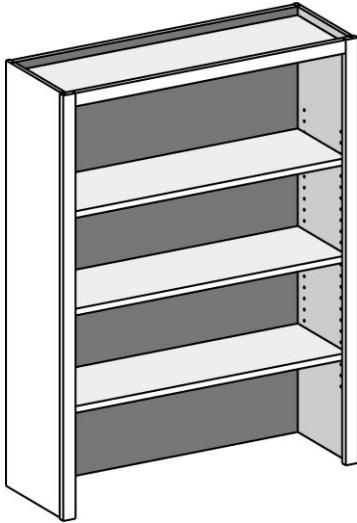
Cabinet Code

Cabinet Notes and Information

W3D2448BD
 W3D2748BD
 W3D3048BD
 W3D3348BD
 W3D3648BD
 W3D2454BD
 W3D2754BD
 W3D3054BD
 W3D3354BD
 W3D3654BD
 W3D2460BD
 W3D2760BD
 W3D3060BD
 W3D3360BD
 W3D3660BD

- All cabinets listed width x height.
- Cabinets are 12-1/2" deep
- 60" high has four shelves
- Drawer front may be slab depending on drawer front design ordered (under minimum)
- **TIP: These are great cabinet to create a 'hutch' treatment. Consider surrounding a window and running a valance between the cabinets or perhaps setting aside a 'non-work area' in the kitchen as a wet bar and flank a wine rack cabinet with these cabinets. Because they set on the countertop, they help 'anchor' any run of cabinets and lend visual interest to your design. Lastly, consider using in a master bath between 2 sink base cabinets. They make great linen and toiletry storage while again adding visual interest to your bath design.**

Wall Open Bookshelf



AVAILABLE OPTIONS

EXTEND STILE	EXPOSED END	FLUSH END	MATCHING INTERIOR
✓	STD	✓	STD
SHAPED TOP RAIL	FLUSH TOE	FLUSH TOE WITH ARCH	
✓			

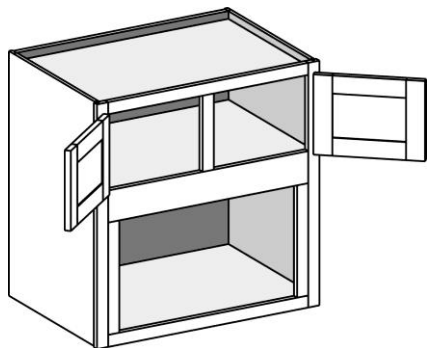
Cabinet Code

Cabinet Notes and Information

WOBS1548
 WOBS1848
 WOBS2148
 WOBS2448
 WOBS2748
 WOBS3048
 WOBS3348
 WOBS3648
 WOBS1554
 WOBS1854
 WOBS2154
 WOBS2454
 WOBS2754
 WOBS3054
 WOBS3354
 WOBS3654
 WOBS1560
 WOBS1860
 WOBS2160
 WOBS2460
 WOBS2760
 WOBS3060
 WOBS3360
 WOBS3660

- All cabinets listed width x height.
- Cabinets are 12-1/2" deep
- Available in the all plywood Craftsman line only
- 60" high has four shelves

Wall Microwave Built-in



AVAILABLE OPTIONS

EXTEND STILE	EXPOSED END	FLUSH END	MATCHING INTERIOR
✓	✓	✓	✓
SHAPED TOP RAIL	FLUSH TOE	FLUSH TOE WITH ARCH	

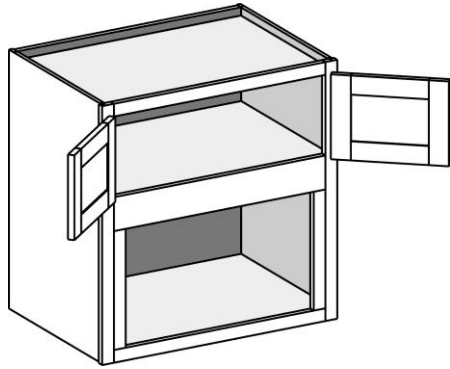
Cabinet Code

Cabinet Notes and Information

WMB2730
 WMB3030
 WMB2736
 WMB3036
 WMB2742
 WMB3042
 WMB2748
 WMB3048

- All cabinets listed width x height.
- Cabinets available 18" (standard) or 21" deep. Must specify.
- 42" high has 1 shelf
- 48" high has 2 shelves
- Bottom opening height = 14" on 30" high cabinet. 15-1/2" on all others. Opening trimmable 2-1/2".
- Bottom opening width is 6" less than cabinet width. Trimmable 3"

Wall Microwave Built-in w/Butt Doors



AVAILABLE OPTIONS

EXTEND STILE	EXPOSED END	FLUSH END	MATCHING INTERIOR
✓	✓	✓	✓
SHAPED TOP RAIL	FLUSH TOE	FLUSH TOE WITH ARCH	
✓			

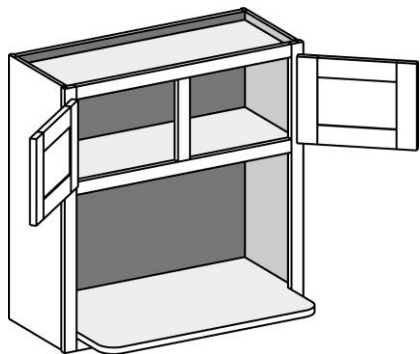
Cabinet Code

Cabinet Notes and Information

WMB2730BD
 WMB3030BD
 WMB2736BD
 WMB3036BD
 WMB2742BD
 WMB3042BD
 WMB2748BD
 WMB3048BD

- All cabinets listed width x height.
- Cabinets available 18" (standard) or 21" deep. Must specify.
- 42" high has 1 shelf
- 48" high has 2 shelves
- Bottom opening height = 14" on 30" high cabinet. 15-1/2" on all others. Opening trimmable 2-1/2".
- Bottom opening width is 6" less than cabinet width. Trimmable 3"

Wall Microwave Shelf



AVAILABLE OPTIONS

EXTEND STILE	EXPOSED END	FLUSH END	MATCHING INTERIOR
✓	✓	✓	✓
SHAPED TOP RAIL	FLUSH TOE	FLUSH TOE WITH ARCH	

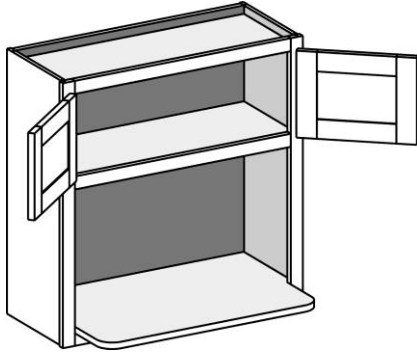
Cabinet Code

Cabinet Notes and Information

WMWS2730
 WMWS3030
 WMWS2736
 WMWS3036
 WMWS2742
 WMWS3042
 WMWS2748
 WMWS3048

- All cabinets listed width x height.
- Cabinets are 12-1/2" deep
- 42" high has 1 shelf
- 48" high has 2 shelves
- 18" deep matching specie plywood microwave shelf
- Bottom opening height = 15-3/4"

Wall Microwave Shelf w/Butt Doors



AVAILABLE OPTIONS

EXTEND STILE	EXPOSED END	FLUSH END	MATCHING INTERIOR
✓	✓	✓	✓
SHAPED TOP RAIL	FLUSH TOE	FLUSH TOE WITH ARCH	

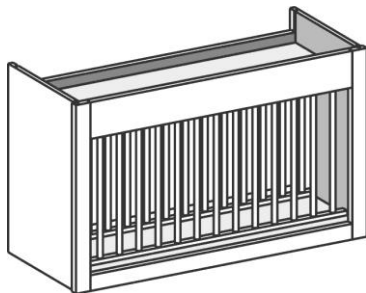
Cabinet Code

Cabinet Notes and Information

WMWS2430BD
WMWS2730BD
WMWS3030BD
WMWS2436BD
WMWS2730BD
WMWS3036BD
WMWS2430BD
WMWS2742BD
WMWS3042BD
WMWS2430BD
WMWS2748BD
WMWS3048BD

- All cabinets listed width x height.
- Cabinets are 12-1/2" deep
- 42" high has 1 shelf
- 48" high has 2 shelves
- 18" deep matching specie plywood microwave shelf
- Bottom opening height = 15-3/4"

Wall Plate Display



AVAILABLE OPTIONS

EXTEND STILE	EXPOSED END	FLUSH END	MATCHING INTERIOR
✓	✓	✓	STD
SHAPED TOP RAIL	FLUSH TOE	FLUSH TOE WITH ARCH	

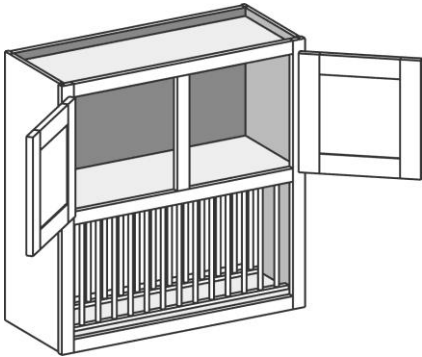
Cabinet Code

Cabinet Notes and Information

WPD3018
WPD3618

- All cabinets listed width x height.
- Cabinets are 12-1/2" deep
- All Plywood Craftsman line only
- Dowels are 3/8" diameter, spaced 2" on center
- Cut to size plate rack included

Wall Plate Display



AVAILABLE OPTIONS

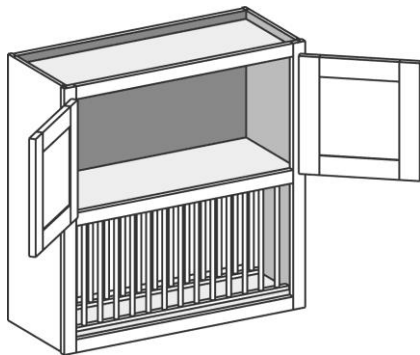
EXTEND STILE	EXPOSED END	FLUSH END	MATCHING INTERIOR
✓	✓	✓	STD
SHAPED TOP RAIL	FLUSH TOE	FLUSH TOE WITH ARCH	

Cabinet Code

Cabinet Notes and Information

WPD3030	<ul style="list-style-type: none"> • All cabinets listed width x height. • Cabinets are 12-1/2" deep • 36" high has one shelf • 42" high has 2 shelves • All Plywood Craftsman line only • Dowels are 3/8" diameter, spaced 2" on center • Cut to size plate rack included
WPD3630	
WPD3036	
WPD3636	
WPD3042	
WPD3642	

Wall Plate Display w/Butt Doors



AVAILABLE OPTIONS

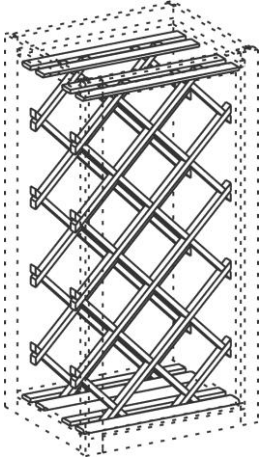
EXTEND STILE	EXPOSED END	FLUSH END	MATCHING INTERIOR
✓	✓	✓	STD
SHAPED TOP RAIL	FLUSH TOE	FLUSH TOE WITH ARCH	
✓			

Cabinet Code

Cabinet Notes and Information

WPD3030BD	<ul style="list-style-type: none"> • All cabinets listed width x height. • Cabinets are 12-1/2" deep • 36" high has one shelf • 42" high has 2 shelves • All Plywood Craftsman line only • Dowels are 3/8" diameter, spaced 2" on center • Cut to size plate rack included
WPD3630BD	
WPD3036BD	
WPD3636BD	
WPD3042BD	
WPD3642BD	

WINE LATTICE KIT (sized for cabinet ordered separately)



Cabinet Code	Cabinet Notes and Information
WLK3015	<ul style="list-style-type: none"> • Available in Cherry, Hard Maple and Red Oak only • Kit includes 2 pieces of lattice and 8 pieces of retainer molding to secure rack in place • Order cabinet separately and be certain to specify matching interior and no door or shelves • Sizes at right (width x height) determine the cabinet the kit goes in. IE: WLK3015 is sized for a W3015 cabinet.
WLK3615	
WLK3018	
WLK3618	
WLK1530	
WLK1830	
WLK2130	