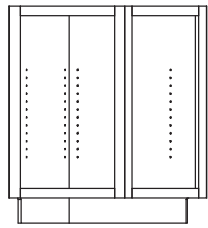
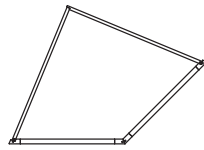


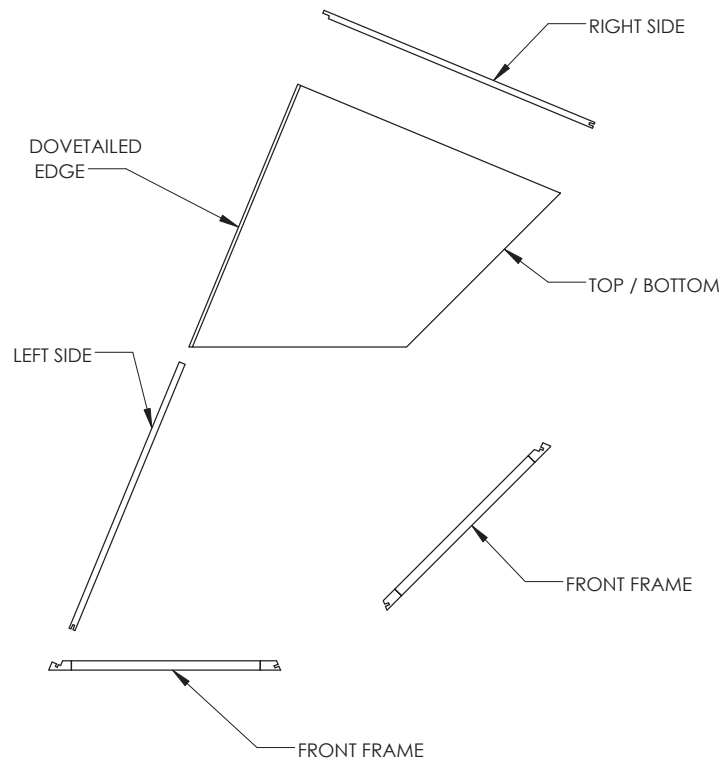
BASE ANGLE END CABINET (BAE)



FRONT VIEW

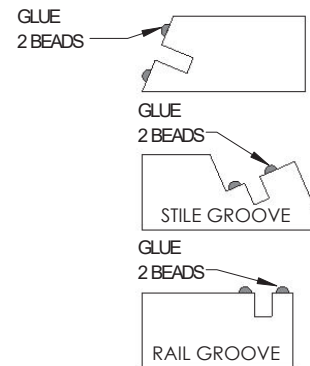


TOP VIEW

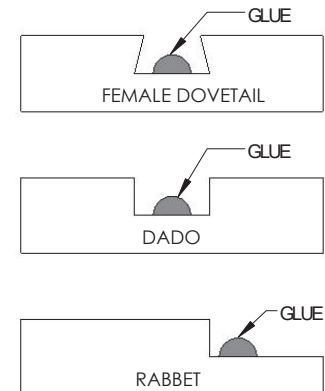


1. PLACE FRONT FRAMES FACE DOWN ON A FLAT CLEAN ASSEMBLY TABLE.
2. APPLY GLUE TO FRONT FRAME AS SHOWN ON FIG #1.
3. INSERT LEFT SIDE INTO FRONT FRAME GROOVES. (SIDE HAS FEMALE DOVETAILED) TAP THE SIDES DOWN SO THAT THEY ARE SECURELY IN PLACE.
4. APPLY GLUE TO FEMALE DOVETAILED ON LEFT SIDE AS SHOWN ON FIG#2.
5. SLIDE TOP AND BOTTOM INTO FEMALE DOVETAILED. TAP TOP AND BOTTOM SPLINES ARE SECURE.
6. APPLY GLUE TO SIDE RABBETS AND DADOS OF THE RIGHT SIDE AS SHOWN IN ON FIG#2.
7. INSERT RIGHT SIDE MAKING SURE THE TOP AND BOTTOM ARE CAPTURED IN THE RIGHT SIDE DADO.
8. PIN OR STAPLE RIGHT SIDE TO THE TOP, BOTTOM AND LEFT SIDE. STAPLES SHOULD BE SPACED A MINIMUM OF 3" APART.
9. INSERT SECOND FRONT FRAME ONTO SPLINES. CLAMP AS NEEDED ENSURING THE JOINT BETWEEN THE 2 FRONT FRAMES IS TIGHTLY SECURED WITH THE SPLINES.

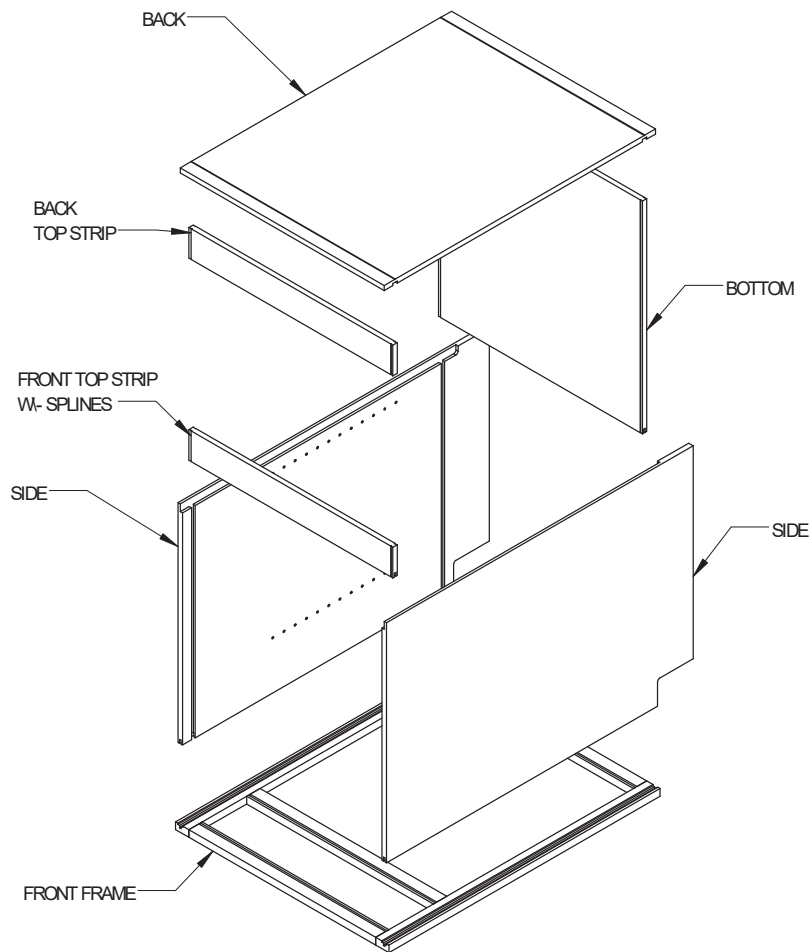
FIG#1 - FRONT FRAME GLUE APPLICATION



FIG#2 - CABINET PART GLUE APPLICATION

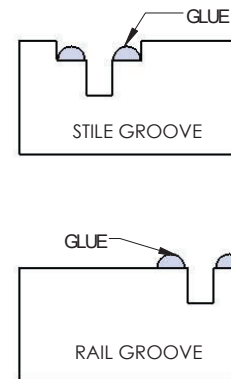


STANDARD BASE CABINET

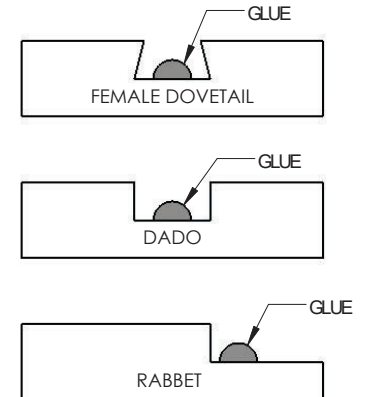


1. PLACE FRONT FRAME FACE DOWN ON A FLAT CLEAN ASSEMBLY TABLE.
2. APPLY GLUE TO FRONT FRAME AS SHOWN ON FIG #1.
3. INSERT SIDES INTO FRONT FRAME GROOVES. TAP THE SIDES DOWN SO THAT THEY ARE SECURELY IN PLACE.
4. APPLY GLUE TO FEMALE DOVETAIL ON SIDES AS SHOWN ON FIG#2.
5. SLIDE FRONT TOP STRIP, BACK TOP STRIP AND BOTTOM INTO FEMALE DOVETAILS. TAP BOTTOM AND FRONT TOP STRIP DOWN SO THE SPLINES ARE SECURE.
6. APPLY GLUE TO SIDE RABBET AND BACK DADO AS SHOWN IN ON FIG#2.
7. INSERT BACK BETWEEN RABBETS IN THE SIDES MAKING SURE THE BACK TOP STRIP AND BOTTOM ARE CAPTURED IN THE BACK (5) DADO.
8. PIN OR STAPLE BACK TO BACK TOP STRIP & BOTTOM USING SCRIBE LINE TO LOCATE FASTENERS. PINS OR STAPLES SHOULD BE SPACED A MINIMUM OF 3" APART.
9. PIN OR STAPLE SIDES TO BACK .

FIG#1 - FRONT FRAME GLUE APPLICATION

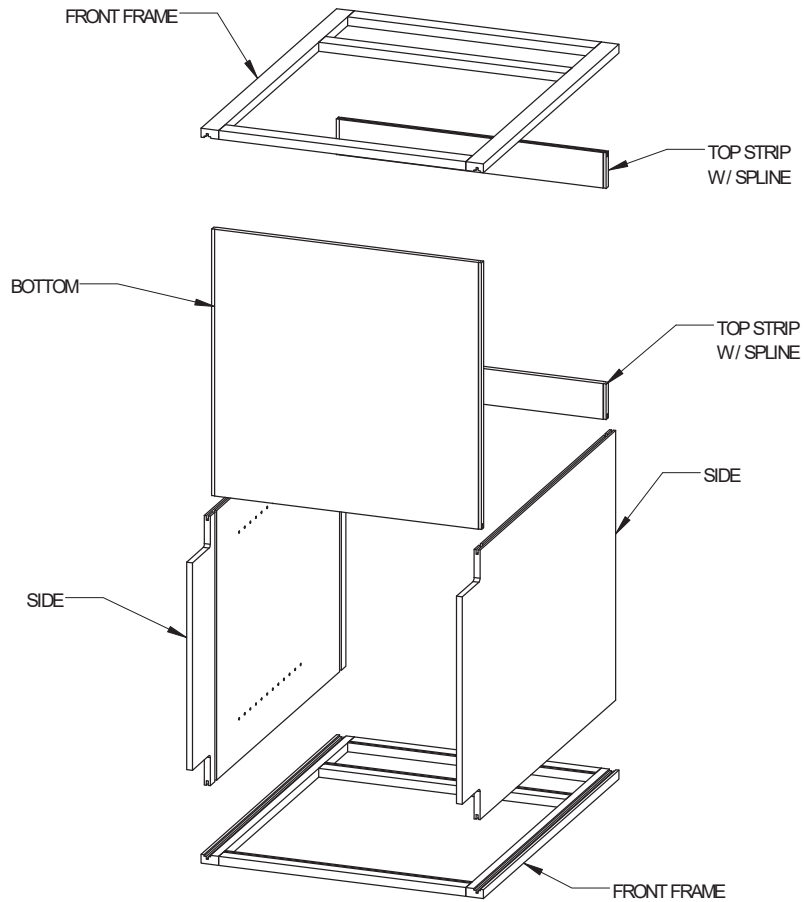


FIG#2 - CABINET PART GLUE APPLICATION

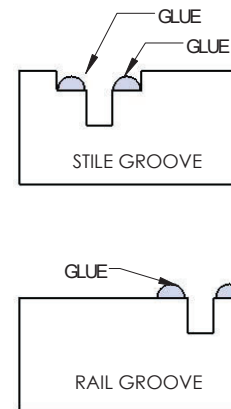


DOUBLE ENTRY CABINETS - BASE SHOWN

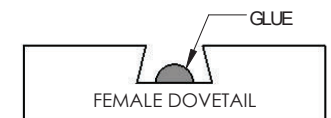
1. PLACE FRONT FRAME FACE DOWN ON A FLAT CLEAN ASSEMBLY TABLE.
2. APPLY GLUE TO FRONT FRAME AS SHOWN ON FIG #1.
3. INSERT SIDES INTO FRONT FRAME GROOVES. TAP SIDES DOWN SO THAT THEY ARE SECURELY IN PLACE.
4. APPLY GLUE TO FEMALE DOVETAILS ON SIDES AS SHOWN ON FIG#2.
5. SLIDE TOP STRIPS AND BOTTOM INTO FEMALE DOVETAILS. TAP BOTTOM AND FRONT TOP STRIP DOWN SO THE SPLINES ARE SECURE.
6. APPLY GLUE TO THE SECOND FRONT FRAME AS SHOWN IN ON FIG#1.
7. ATTACH FRONT FRAME TO THE PREINSERTED SPLINES IN THE SIDES, BACK TOP STRIP AND BOTTOM. TAP FRONT FRAME DOWN SO SPLINES ARE SECURE .



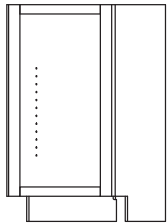
FIG#1 - FRONT FRAME GLUE APPLICATION



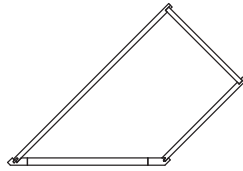
FIG#2 - CABINET PART GLUE APPLICATION



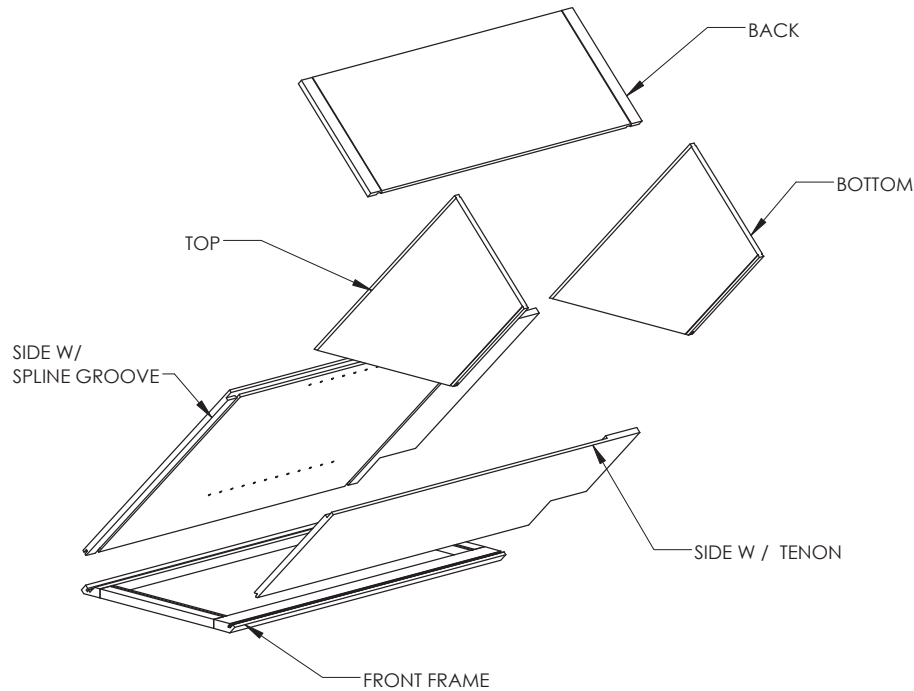
BEAL / BEAR CABINET



FACE VIEW

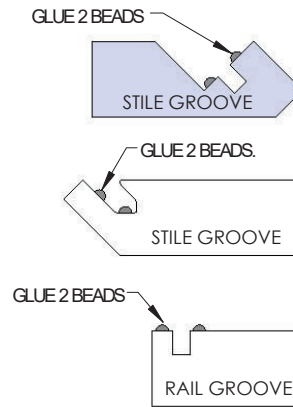


TOP VIEW

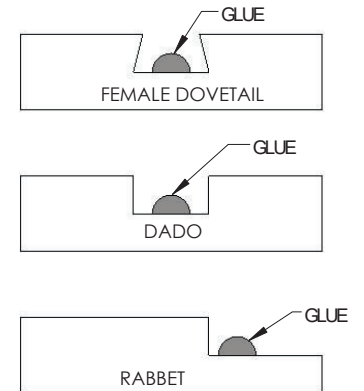


1. PLACE FRONT FRAME FACE DOWN ON A FLAT CLEAN ASSEMBLY TABLE.
2. APPLY GLUE TO FRONT FRAME AS SHOWN ON FIG #1.
3. INSERT SIDE WITH SPLINE GROOVE INTO FRONT FRAME GROOVE. TAP THE SIDES DOWN SO THAT THEY ARE SECURELY IN PLACE.
4. APPLY GLUE TO FEMALE DOVETAILS ON BOTH SIDES AS SHOWN ON FIG#2.
5. SLIDE TOP AND BOTTOM INTO FEMALE DOVETAILS. TAP TOP AND BOTTOM DOWN SO THE SPLINES ARE SECURE.
6. SLIDE SIDE WITH TENON ONTO MALE DOVETAILS OF TOP AND BOTTOM. ENSURE SIDE SECURELY SEATS INTO STILE GROOVE.
7. APPLY GLUE TO SIDE RABBETS AND BACK DADOS AS SHOWN IN ON FIG#2.
8. INSERT BACK BETWEEN RABBETS OF THE SIDES MAKING SURE THE TOP AND BOTTOM ARE CAPTURED IN THE BACK DADO.
9. PIN OR STAPLE BACK TO BACK TOP STRIP & BOTTOM USING SCRIBE LINE TO LOCATE FASTENERS. PINS AND STAPLES SHOULD BE SPACED A MINIMUM OF 3" APART.
10. PIN OR STAPLE SIDES TO BACK .

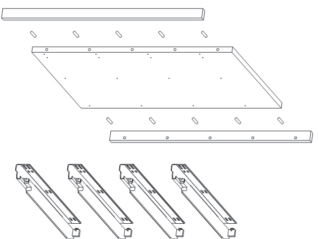
FIG#1 - FRONT FRAME GLUE APPLICATION



FIG#2 - CABINET PART GLUE APPLICATION



DIVIDER ASSEMBLY

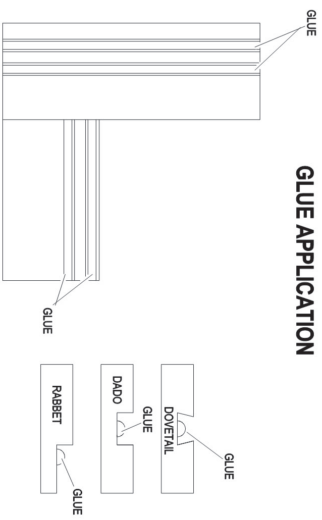


1. ASSEMBLE LEFT AND RIGHT DIVIDER ASSEMBLY INTO TWO PANELS PROVIDED. EACH ASSEMBLY CONTAINS 2 CLIENTS AND 1 PANEL PRE-DRILLED FOR TANDEM SLIDES.

2. INSTALL TANDEM SLIDES USING WOOD SCREWS PROVIDED. ALL 5 SCREWS MUST BE USED TO MEET MAXIMUM LOAD CAPACITIES.

***NOTE: THE REAR MOUNTING BRACKET'S ARE NOT REQUIRED.

GLUE APPLICATION

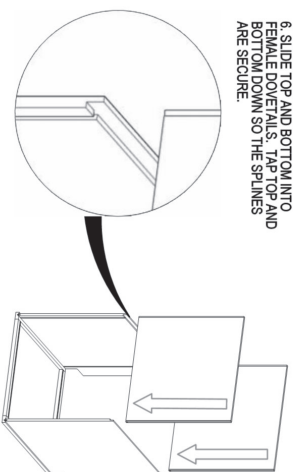
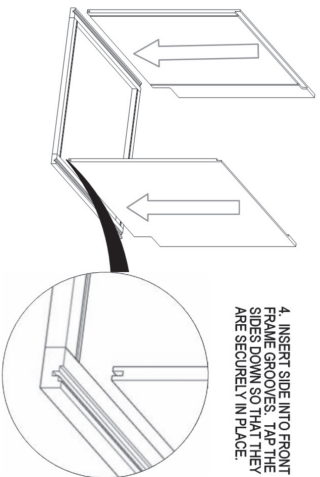


3. APPLY GLUE TO FRONT FRAME AS SHOWN IN GLUE APPLICATION FRAME.

4. INSERT SIDE INTO FRONT FRAME GROOVES. TAP THE SIDES DOWN SO THAT THEY ARE SECURELY IN PLACE.

5. APPLY GLUE TO FEMALE DOVETAIL ON SIDES AS SHOWN IN GLUE APPLICATION FRAME.

6. SLIDE TOP AND BOTTOM INTO FEMALE DOVETAILS. TAP TOP AND BOTTOM DOWN SO THE SPLINES ARE SECURE.

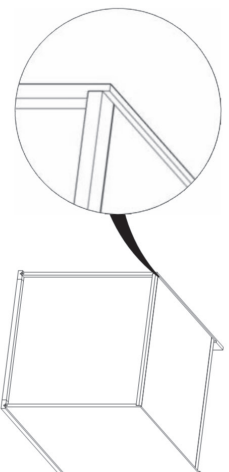
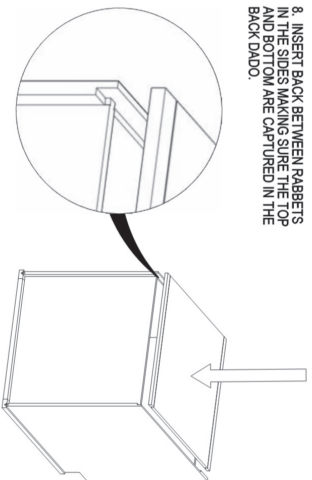


7. APPLY GLUE TO SIDE RABBET AND DADO AS SHOWN IN GLUE APPLICATION FRAME.

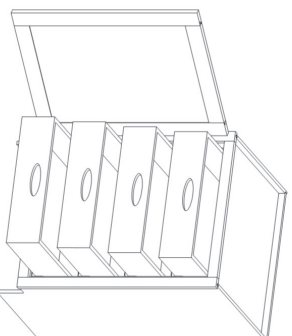
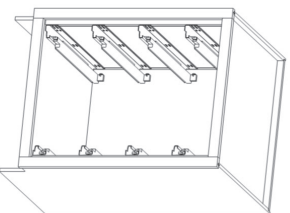
8. INSERT BACK BETWEEN RABBETS IN THE SIDES MAKING SURE THE TOP AND BOTTOM ARE CAPTURED IN THE BACK DADO.

9. PIN OR STAPLE BACK TO TOP AND BOTTOM USING SCRIBE LINE TO LOCATE FASTENERS. PIN OR STAPLES SHOULD BE SPACED A MINIMUM OF 3" APART.

10. PIN OR STAPLE SIDES TO BACK.

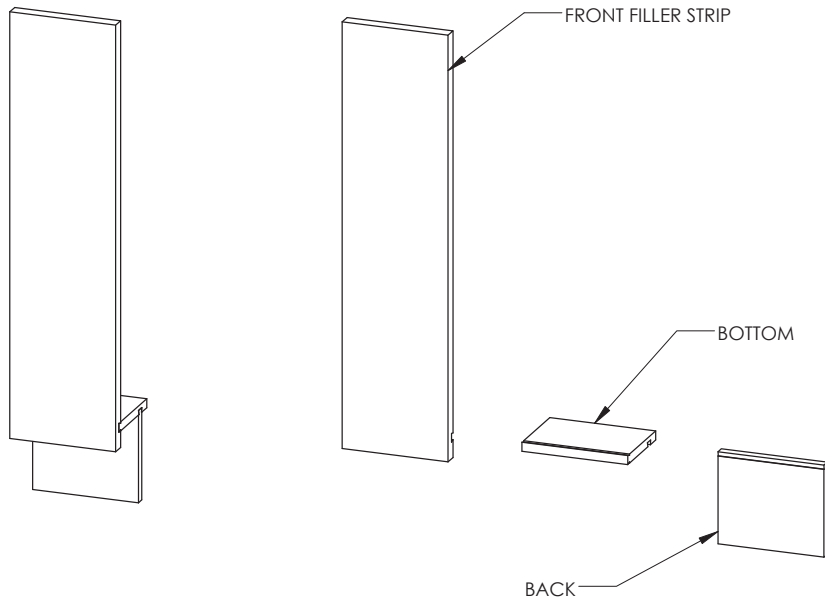


11. INSTALL DIVIDER ASSEMBLIES BY SCREWING THEM TO THE CABINET SIDES. (SCREWS NOT PROVIDED)

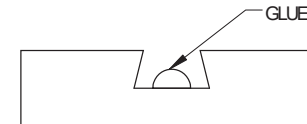


BASE FILLER STRIP

1. APPLY GLUE TO FEMALE DOVETAIL ON FRONT FILLER STRIP AND BOTTOM AS SHOWN IN FIG#1.
2. SLIDE BOTTOM INTO FEMALE DOVETAIL ON FRONT FILLER STRIP UNTIL EDGES ARE FLUSH.
3. SLIDE BACK INTO FEMALE DOVETAIL ON BOTTOM DOVETAIL UNTIL EDGES ARE FLUSH.
4. CLAMP OR TACK WITH PINS UNTIL GLUE SETS.

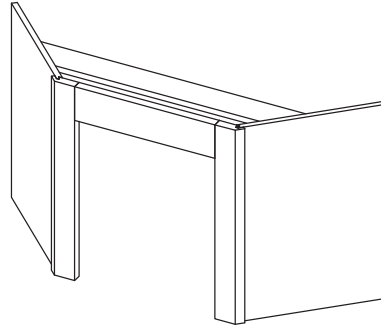
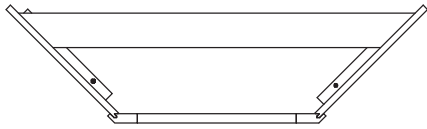


FIG#1 - CABINET PART GLUE APPLICATION

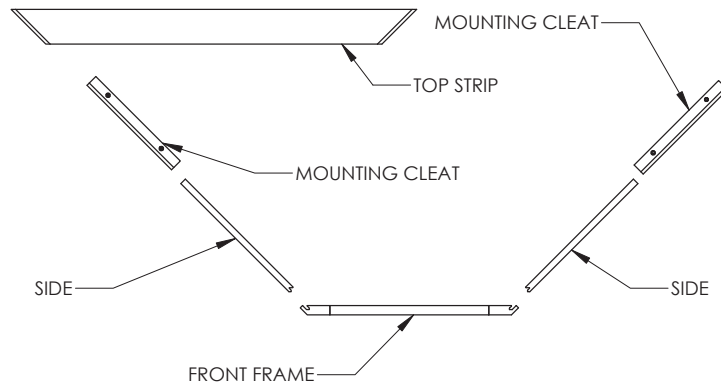


FEMALE DOVETAIL

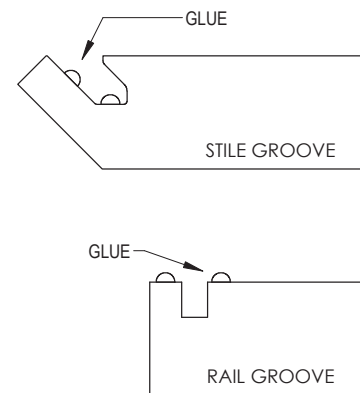
CORNER APPLIANCE GARAGE



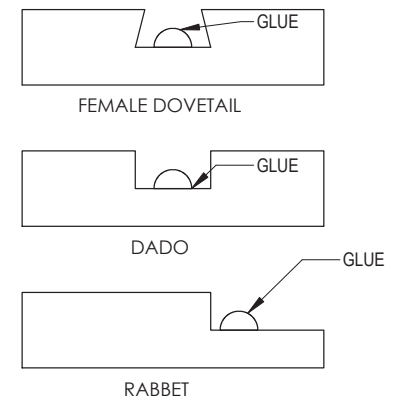
1. PLACE FRONT FRAME FACE DOWN ON A FLAT CLEAN ASSEMBLY TABLE.
2. APPLY GLUE TO FRONT FRAME STILES AS SHOWN ON FIG #1.
3. INSERT ONE SIDE INTO FRONT FRAME GROOVE. TAP THE SIDE DOWN SO THAT IT IS SECURELY IN PLACE.
4. APPLY GLUE TO FEMALE DOVETAILED ON SIDES AS SHOWN ON FIG #2.
5. SLIDE TOP STRIP INTO FEMALE DOVETAILED APPROX. 1" FROM BACK EDGE OF SIDE.
6. SLIDE SECOND SIDE ONTO MALE DOVETAILED OF TOP STRIP UNTIL SIDE ENGAGES WITH FACE FRAME STILE. ADJUST LOCATION OF TOP STRIP AS NEEDED TO ENSURE SIDES ARE FULLY ENGAGED WITH FRONT FRAME.
7. INSERT MOUNTING CLEATS INTO FEMALE DOVETAILED IN EACH SIDE.



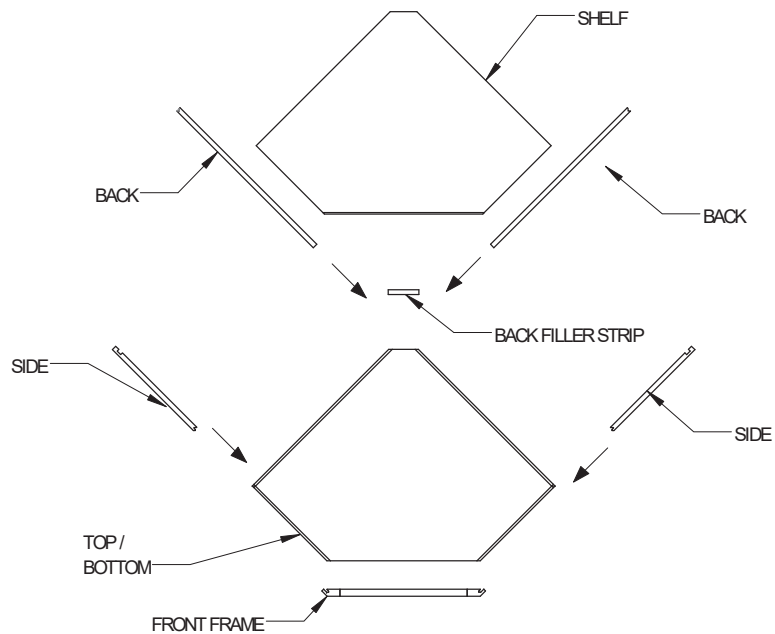
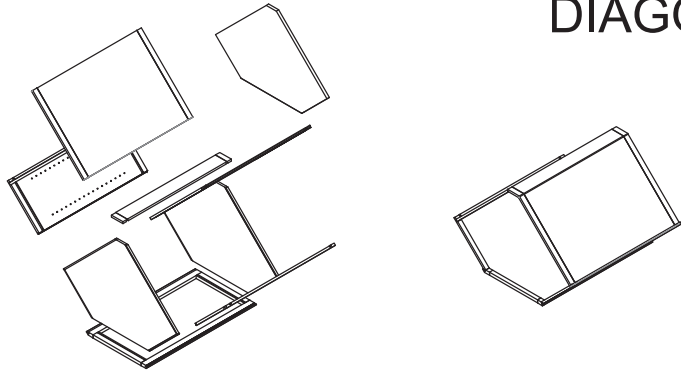
FIG#1 - FRONT FRAME GLUE APPLICATION



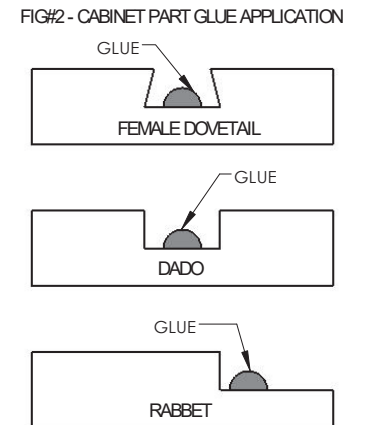
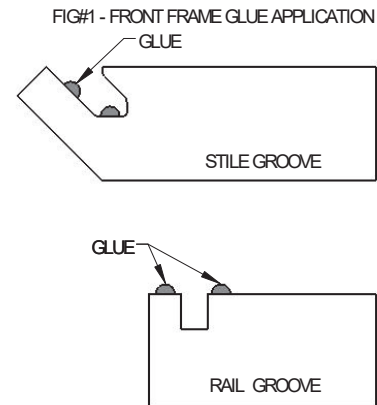
FIG#2 - CABINET PART GLUE APPLICATION

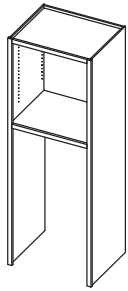


DIAGONAL CORNER CABINETS



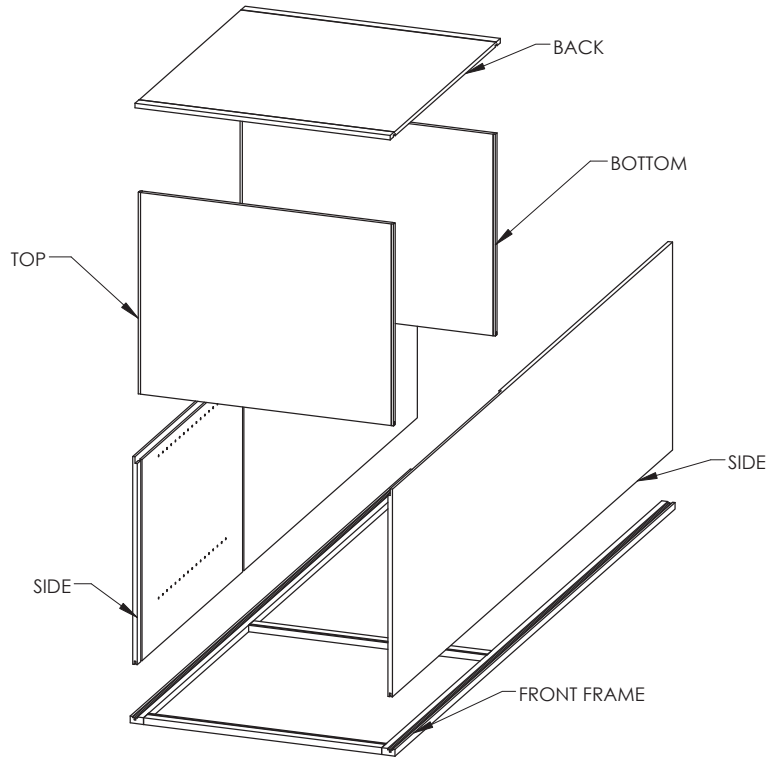
1. PLACE FRONT FRAME FACE DOWN ON A FLAT CLEAN ASSEMBLY TABLE.
2. APPLY GLUE TO FRONT FRAME AS SHOWN ON FIG #1.
3. INSERT TOP & BOTTOM INTO FRONT FRAME SPLINE GROOVES. TAP THE TOP & BOTTOM DOWN SO THAT THEY ARE SECURELY IN PLACE. MAKE SURE TOP & BOTTOM ARE CENTER ON THE FRONT FRAME
4. APPLY GLUE TO FEMALE DOVETAIL ON SIDES AS SHOWN ON FIG #2.
5. SLIDE THE SIDES ONTO THE MALE DOVETAILS OF THE TOP & BOTTOM. MAKE SURE THE SIDES SEAT INTO THE FRONT FRAME GROOVE.
6. APPLY GLUE TO BACK DOVETAILS AS SHOWN IN FIG #2.
7. SLIDE BACK ONTO THE FEMALE DOVETAILS OF THE TOP & BOTTOM. INSERT SHELVES OR LAZT SUSAN UNIT INTO CABINET BEFORE SLIDING SECOND BACK ONTO FEMALE DOVETAILS OF TOP & BOTTOM.
8. GLUE DADOS ON BACK STRIP AS SHOWN IN FIG #2. INSERT BACK STRIP MAKING SURE THE TOP& BOTTOM ARE CAPTURED IN THE BACK STRIP DADO.
9. PIN OR STAPLE BACKS TO TOP/BOTTOM USING SCRIBE LINE TO LOCATE FASTENERS. PINS OR STAPLES SHOULD BE SPACED A MINIMUM OF 3" APART.
10. PIN OR STAPLE SIDES TO BACK.





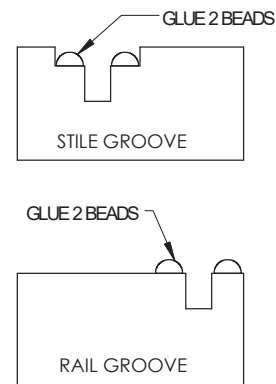
REFRIGERATOR TALL CABINET

(BOTH SHOWN)

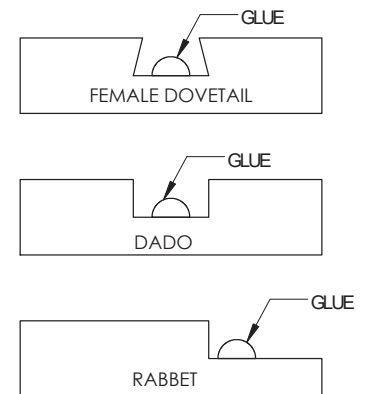


1. PLACE FRONT FRAME FACE DOWN ON A FLAT CLEAN ASSEMBLY TABLE.
2. APPLY GLUE TO FRONT FRAME AS SHOWN ON FIG #1.
3. INSERT SIDES INTO FRONT FRAME GROOVES. TAP THE SIDES DOWN SO THAT THEY ARE SECURELY IN PLACE.
4. APPLY GLUE TO FEMALE DOVETAILS ON SIDES AS SHOWN ON FIG#2.
5. SLIDE TOP AND BOTTOM INTO FEMALE DOVETAILS. TAP TOP & BOTTOM DOWN SO THE SPLINES ARE SECURE.
6. APPLY GLUE TO SIDE RABBETS AND BACK DADO AS SHOWN IN ON FIG#2.
7. INSERT BACK BETWEEN RABBETS IN THE SIDES MAKING SURE THE TOP AND BOTTOM ARE CAPTURED IN THE BACK DADO.
8. PIN OR STAPLE BACK TO TOP & BOTTOM USING SCRIBE LINE TO LOCATE FASTENERS. PINS OR STAPLES SHOULD BE SPACED A MINIMUM OF 3" APART.
9. PIN OR STAPLE SIDES TO BACK .

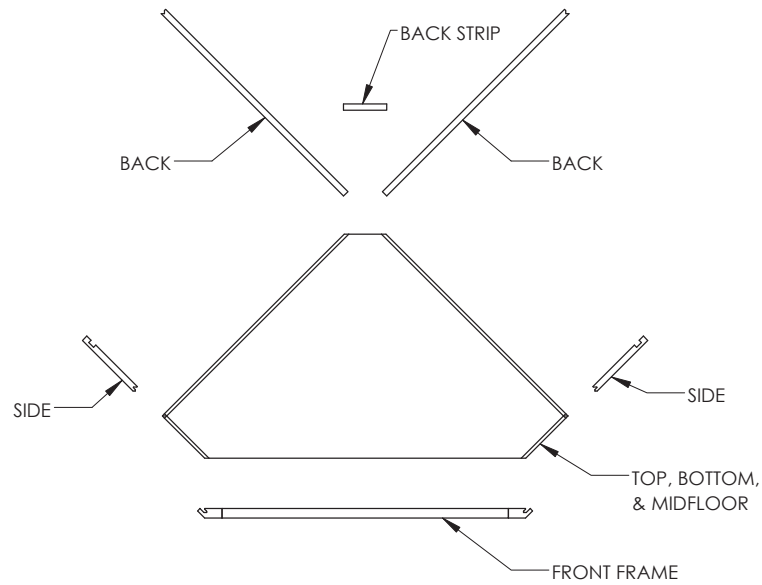
FIG#1 - FRONT FRAME GLUE APPLICATION



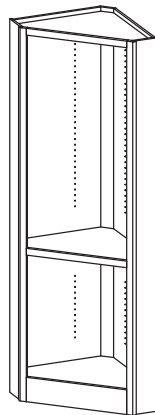
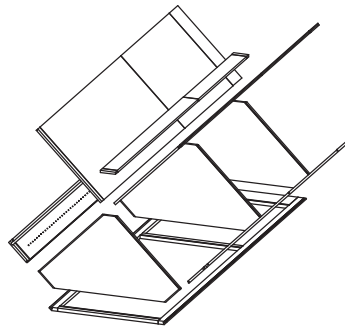
FIG#2 - CABINET PART GLUE APPLICATION



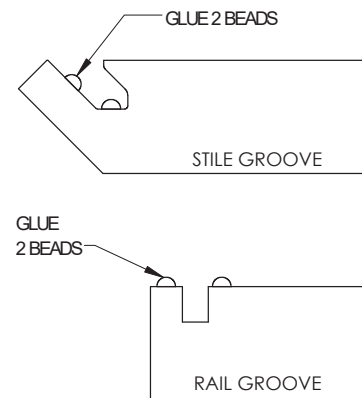
TALL CORNER HUTCH



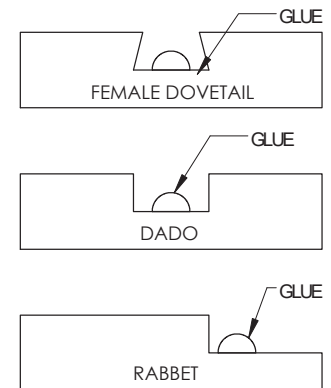
1. PLACE FRONT FRAME FACE DOWN ON A FLAT CLEAN ASSEMBLY TABLE.
2. APPLY GLUE TO FRONT FRAME AS SHOWN ON FIG #1.
3. INSERT TOP, BOTTOM, & MID-FLOOR INTO FRONT FRAME SPLINE GROOVES. TAP THE TOP, BOTTOM, & MID-FLOOR DOWN SO THAT THEY ARE SECURELY IN PLACE. MAKE SURE TOP & BOTTOM ARE CENTERED ON THE FRONT FRAME
4. APPLY GLUE TO FEMALE DOVETAIL ON SIDES AS SHOWN ON FIG #2.
5. SLIDE THE SIDES ONTO THE MALE DOVETAILS ON TOP, BOTTOM, & MID-FLOOR. MAKE SURE THE SIDES SEAT INTO THE FRONT FRAME GROOVE.
6. APPLY GLUE TO BACK DOVETAILS AS SHOWN IN FIG #2.
7. SLIDE BACKS ONTO THE FEMALE DOVETAILS ON TOP, BOTTOM, & MID-FLOOR.
8. GLUE DADOS ON BACK STRIP AS SHOWN IN FIG #2. INSERT BACK STRIP MAKING SURE THE TOP, BOTTOM, & MID-FLOOR ARE CAPTURED IN THE BACK FILLER STRIP DADO.
9. PIN OR STAPLE BACK TO TOP, BOTTOM, & MID-FLOOR USING SCRIBE LINE TO LOCATE FASTENERS. PINS OR STAPLES SHOULD BE SPACED A MINIMUM OF 3" APART.
10. PIN OR STAPLE SIDES TO BACK.



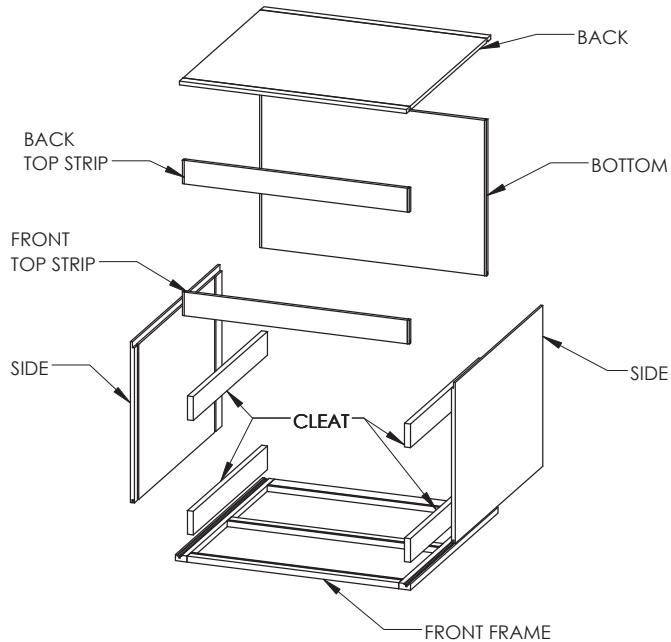
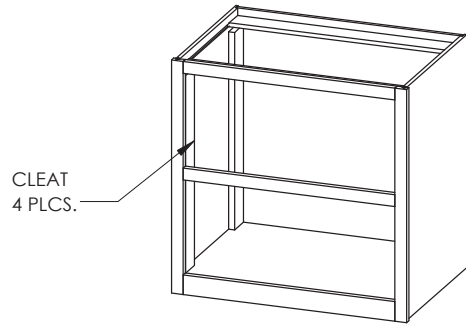
FIG#1 - FRONT FRAME GLUE APPLICATION



FIG#2 - CABINET PART GLUE APPLICATION

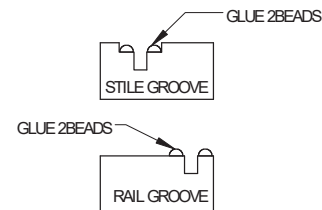


LATERAL FILE CABINET

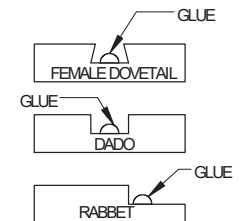


1. PLACE FRONT FRAME FACE DOWN ON A FLAT CLEAN ASSEMBLY TABLE.
2. APPLY GLUE TO FRONT FRAME AS SHOWN ON FIG #1.
3. INSERT SIDES INTO FRONT FRAME GROOVES. TAP THE SIDES DOWN SO THAT THEY ARE SECURELY IN PLACE.
4. APPLY GLUE TO FEMALE DOVETAIL ON SIDES AS SHOWN ON FIG#2.
5. SLIDE FRONT TOP STRIP, BACK TOP STRIP AND BOTTOM INTO FEMALE DOVETAILS. TAP BOTTOM AND FRONT TOP STRIP DOWN SO THE SPLINES ARE SECURE.
6. APPLY GLUE TO SIDE RABBET AND BACK DADO AS SHOWN IN ON FIG#2.
7. INSERT BACK BETWEEN RABBETS IN THE SIDES MAKING SURE THE BACK TOP STRIP AND BOTTOM ARE CAPTURED IN THE BACK DADO.
8. PIN OR STAPLE BACK TO BACK TOP STRIP & BOTTOM USING SCRIBE LINE TO LOCATE FASTENERS. PINS OR STAPLES SHOULD BE SPACED A MINIMUM OF 3" APART.
9. PIN OR STAPLE SIDES TO BACK.
10. PIN OR SCREW CLEATS TO SIDES OF CABINET AND MOUNT DRAWER SLIDES.
11. SPECIAL SAFETY LOCKING DRAWER SLIDES ARE STANDARD. REFER TO INSTALLATION INSTRUCTIONS INCLUDED WITH ACCURIDE HARDWARE.

FIG#1 - FRONT FRAME GLUE APPLICATION

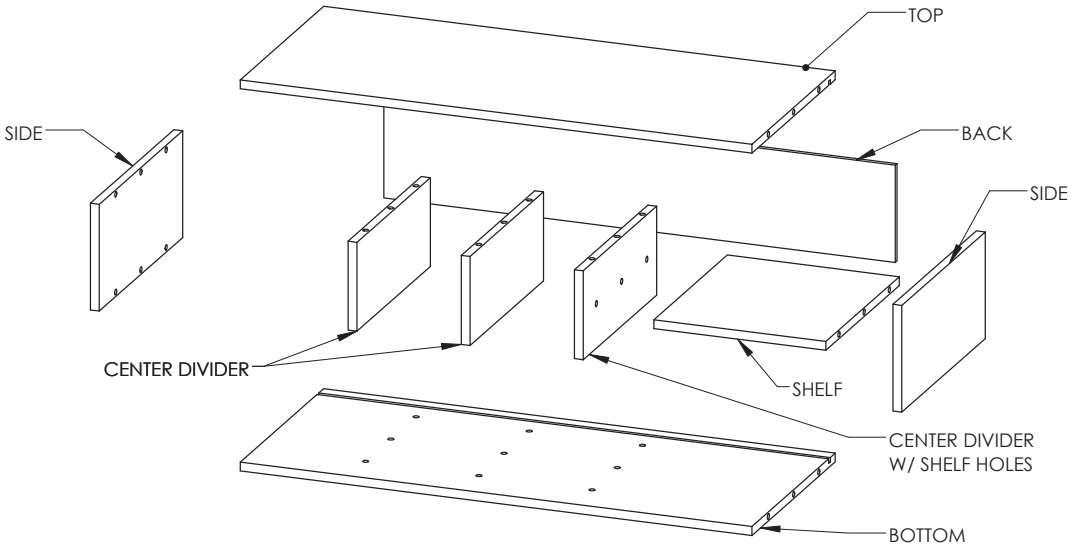


FIG#2 - CABINET PART GLUE APPLICATION

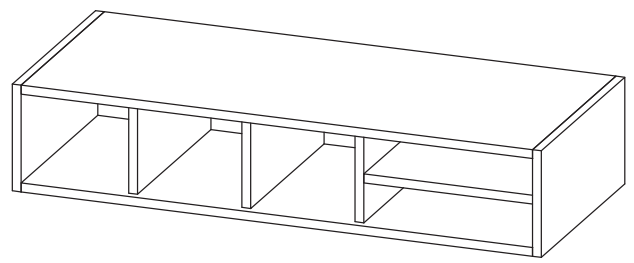


LETTER FILE SLOT

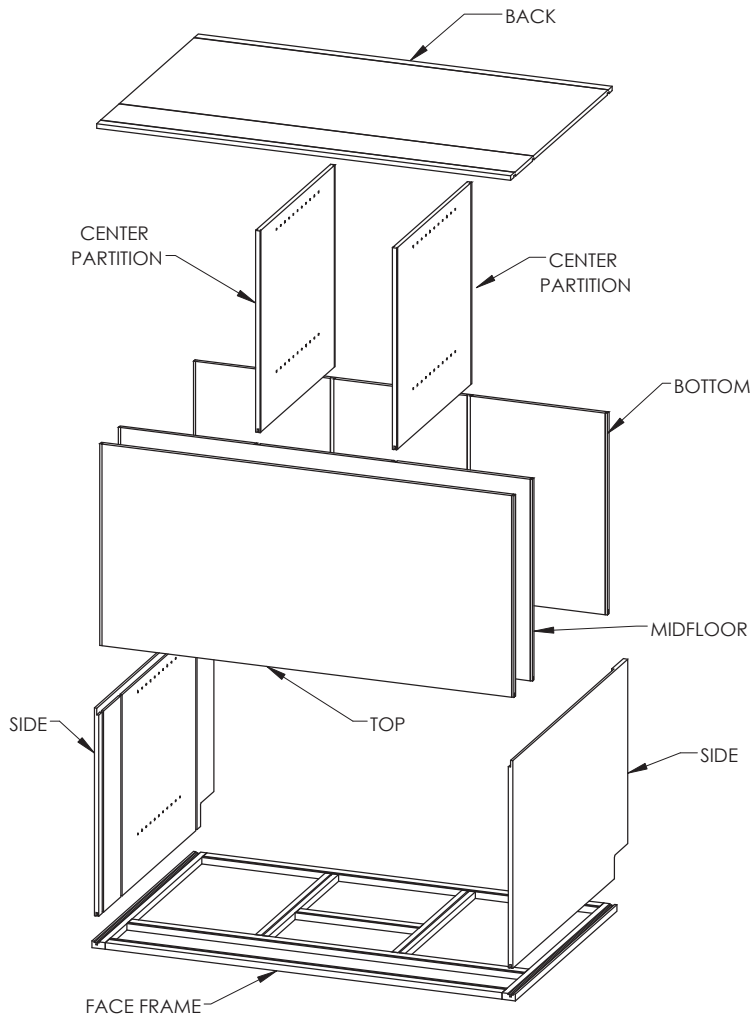
(30" CONFIGURATION SHOWN)



1. APPLY GLUE INTO EACH HOLE AND A BEAD OF GLUE IN TOP & BOTTOM DADO.
2. INSERT DOWELS INTO ALL END HOLES.
3. INSERT CENTER DIVIDERS ONTO BOTTOM, MAKING SURE EDGEBANDED SIDE IS FACING FRONT.
4. INSERT BACK INTO DADO ON BOTTOM..
5. INSERT TOP ONTO CENTER DIVIDERS ENSURING BACK IS CAPTURED IN DADO.
6. INSTALL CENTER SHELF/SPACE ONTO DOWEL HOLE IN DIVIDER.
7. APPLY SIDES TO ENDS OF TOP, BOTTOM & SHELF.
8. CLMP FROM SIDE TO SIDE AND TOP TO BOTTOM AS NEEDED.

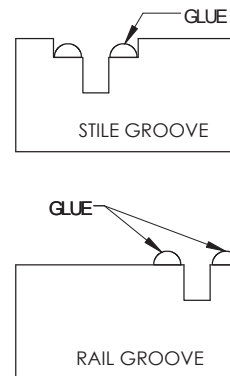


MEDIA CENTER AND OTHER CABINETS WITH CENTER PARTITIONS

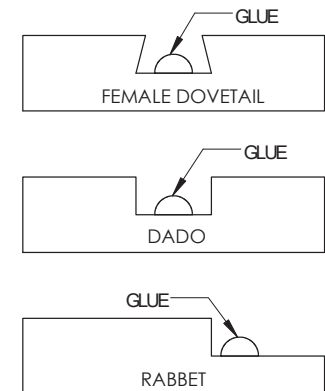


1. IF MEDIA CENTER HAS 5" TOP OPENING THAT WILL BE USED TO HOUSE ELECTRICAL COMPONENTS, WE RECOMMEND DRILLING CORD / CABLE ACCESS HOLES PRIOR TO ASSEMBLY.
2. APPLY GLUE TO FRONT FRAME AS SHOWN ON FIG #1.
3. INSERT SIDES INTO FRONT FRAME GROOVES. TAP THE SIDES DOWN SO THAT THEY ARE SECURELY IN PLACE.
4. APPLY GLUE TO FEMALE DOVETAILS ON SIDES AS SHOWN ON FIG#2.
5. SLIDE TOP, MIDFLOOR, AND BOTTOM INTO FEMALE DOVETAILS. TAP DOWN SO THE SPLINES ARE SECURE.
6. TO INSTALL CENTER PARTITIONS, APPLY GLUE TO FEMALE DOVETAIL ON MIDFLOOR AND BOTTOM AS SHOWN ON FIG#2.
7. SLIDE CENTER PARTITIONS INTO FEMALE DOVETAILS. TAP DOWN SO THE SPLINES ARE SECURE.
8. APPLY GLUE TO SIDE RABBETS AND BACK DADOS AS SHOWN IN ON FIG#2.
9. INSERT BACK BETWEEN RABBETS IN THE SIDES MAKING SURE THE TOP, MIDFLOOR, CENTER PARTITIONS, AND BOTTOM ARE CAPTURED IN THE BACK DADOS.
10. PIN OR STAPLE BACK TOP, MIDFLOOR, BOTTOM, AND CENTER PARTITIONS USING SCRIBE LINES TO LOCATE FASTENERS. PINS OR STAPLES SHOULD BE SPACED A MINIMUM OF 3" APART.
11. PIN OR STAPLE SIDES TO BACK .

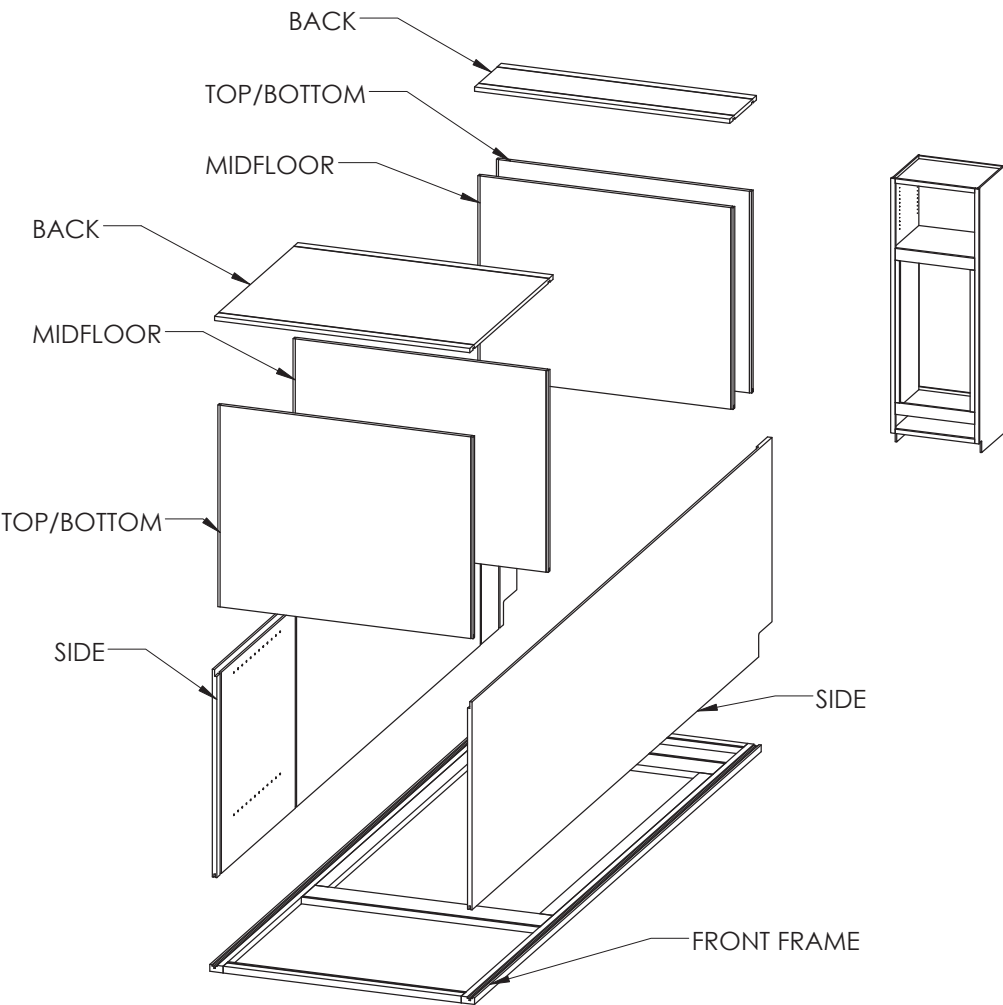
FIG#1 - FRONT FRAME GLUE APPLICATION



FIG#2 - CABINET PART GLUE APPLICATION

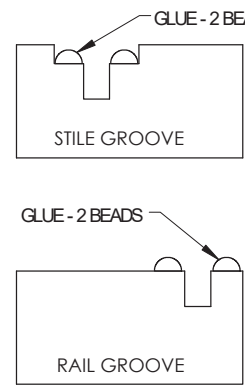


OVEN CABINET (ODA SHOWN)

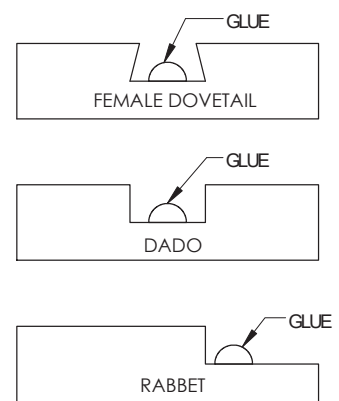


1. PLACE FRONT FRAME FACE DOWN ON A FLAT CLEAN ASSEMBLY TABLE.
2. APPLY GLUE TO FRONT FRAME AS SHOWN ON FIG #1.
3. INSERT SIDES INTO FRONT FRAME GROOVES. TAP THE SIDES DOWN SO THAT THEY ARE SECURELY IN PLACE.
4. APPLY GLUE TO FEMALE DOVETAILS ON SIDES AS SHOWN ON FIG#2.
5. SLIDE TOP, BOTTOM, AND MIDFLOORS INTO FEMALE DOVETAILS. TAP TOP DOWN SO THE SPLINES ARE SECURE.
6. APPLY GLUE TO SIDE RABBET AND BACK DADO AS SHOWN IN ON FIG#2.
7. INSERT BOTH BACKS BETWEEN RABBETS IN THE SIDES MAKING SURE THE TOP, BOTTOM, AND MIDFLOORS ARE CAPTURED IN THE BACK DADOS.
8. PIN OR STAPLE BACK TO TOP, BOTTOM, AND MIDFLOORS USING SCRIBE LINE TO LOCATE FASTENERS. PINS AND STAPLES SHOULD BE SPACED A MINIMUM OF 3" APART.
9. PIN OR STAPLE SIDES TO BACKS .
10. ALSO INCLUDED ARE TWO 2X4 OVEN SUPPORTS. (NOT SHOWN) SEE INSTRUCTIONS SUPPLIED BY OVEN MANUFACTURER TO DETERMINE IF NEEDED FOR INSTALLATION.

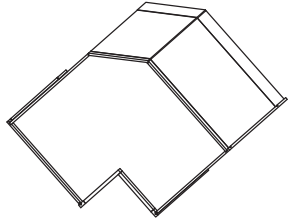
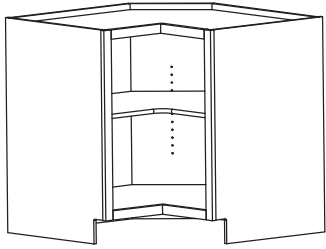
FIG#1 - FRONT FRAME GLUE APPLICATION



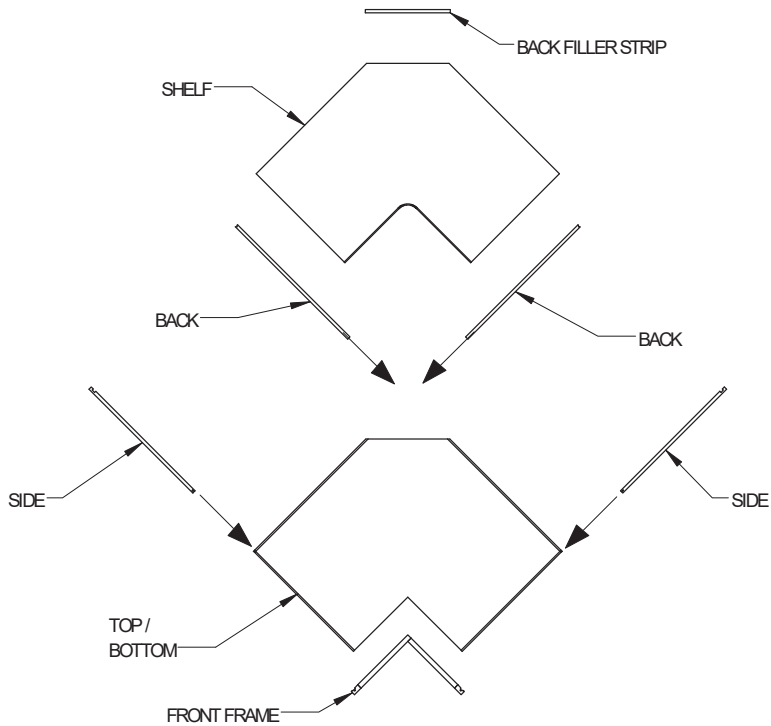
FIG#2 - CABINET PART GLUE APPLICATION



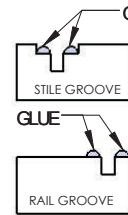
PIE CUT CABINETS



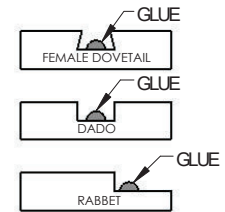
1. ASSEMBLE TWO FRONT FRAMES TO FORM THE "PIE CUT".
 - FOR OVERLAY AND NON-BEADED FRAMES, ONE FRAME IS 3/4" WIDER THAN THE OTHER. WHEN ASSEMBLING ATTACHED THE NARROWER FRAME TO THE WIDER FRAME.
 - FOR INSET FRAMES ARE EQUAL IN WIDTH AND MUST BE CUT WITH A 45° MITER ON BOTH FRAMES PRIOR TO ASSEMBLY.
2. USING GLUE, PINS OR A COUNTER SUNK WOOD SCREW (NOT INCLUDED), INSERTED FROM THE BACK OF THE LONGER FRAME. IF WOOD SCREWS ARE USED, BE SURE TO PRE-DRILL BEFORE INSERTING SCREW.
3. PLACE ASSEMBLED FRONT FRAMES FACE DOWN ON A FLAT CLEAN ASSEMBLY TABLE.
4. APPLY GLUE TO FRONT FRAME AS SHOWN ON FIG #1.
5. ATTACH FRONT FRAME TO TOP AND BOTTOM USING PRE-INSERTED SPLINES. NOTE THAT LONGER FRONT FRAME PIECE SHOULD BE ATTACHED FIRST.
6. APPLY GLUE TO FEMALE DOVETAIL ON SIDES AS SHOWN ON FIG#2.
7. SLIDE SIDES ON TO TOP AND BOTTOM DOVETAIL. ENSURE THE SIDES FIRMLY SEAT IN THE FRONT FRAME GROOVES.
8. APPLY GLUE TO BACK DOVETAIL SHOWN IN ON FIG#2.
9. SLIDE BACK ON TO TOP AND BOTTOM DOVETAIL MAKING SURE THE BACK IS CAPTURED IN THE SIDE DADO.
10. INSERT SHELVES OR INSTALL LAZY SUZAN INTO CABINET **BEFORE** COMPLETING BACK ASSEMBLY.
11. SLIDE BACK ON TO TOP AND BOTTOM DOVETAIL MAKING SURE THE BACK IS CAPTURED IN THE SIDE DADO.
12. APPLY GLUE TO BACK FILLER STRIP AND INSERT ON TO TOP AND BOTTOM.
13. PIN OR STAPLE BACK TO TOP & BOTTOM USING SCRIBE LINE TO LOCATE FASTENERS. PINS OR STAPLES SHOULD BE SPACED A MINIMUM OF 3" APART.
14. PIN OR STAPLE SIDES TO BACK.



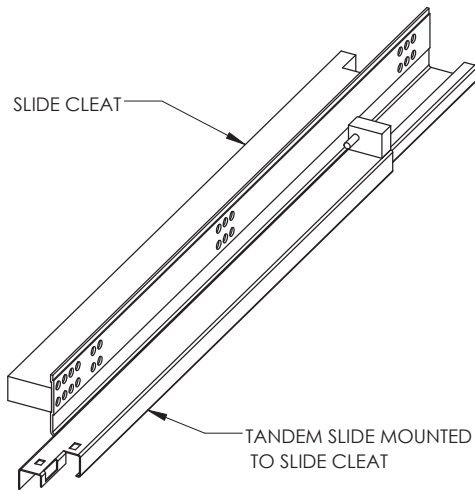
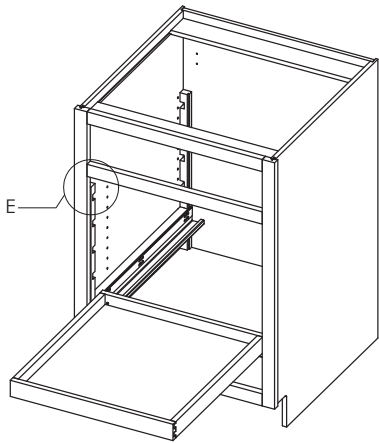
FIG#1 - FRONT FRAME GLUE APPLICATION



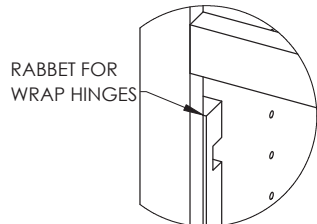
FIG#2 - CABINET PART GLUE APPLICATION



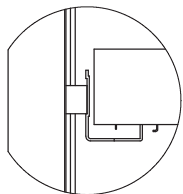
TANDEM OPTION FOR PULL OUT TRAYS



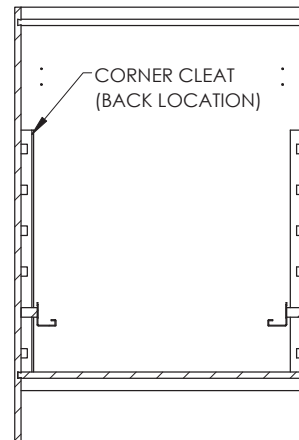
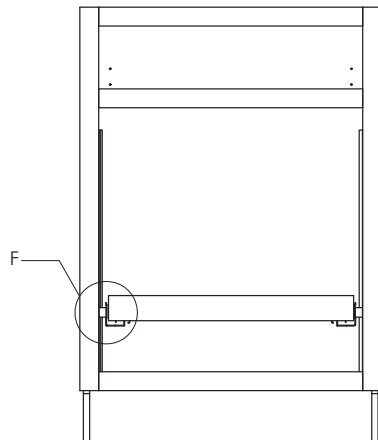
1. ASSEMBLE CABINET FOLLOWING RECOMMENDED PROCEDURES.
2. FASTEN CORNER CLEATS TO CABINET SIDES AT CORNERS USING SCREWS. (NOT PROVIDED) SEE THE SECTION VIEW A LEFT FOR CLEAT ORIENTATION. NOTE THAT CORNER CLEATS ARE FOR INSTALLATION FRONT OR BACK.
3. WHEN INSTALLING FRONT CORNER CLEATS ENSURE THE RABBET IS TOWARDS THE INSIDE EDGE OF THE FRONT FRAME. SEE DETAIL E VIEW
4. MOUNT TANDEM SLIDES ON SLIDE CLEAT AS SHOWN IN DETAIL E VIEW USING SCREWS PROVIDED IN TANDEM SLIDE KIT. KEEP EDGE OF SLIDE FLUSH WITH LEADING EDGE OF CLEAT.
5. INSERT TAB ON SLIDE CLEAT INTO DESIRED SLOT IN BACK CORNER CLEAT AND SLIDE FRONT OF SLIDE CLEAT INTO COORISPONDING FRONT CORNER CLEAT
6. INSTALL DRAWER BOX ONTO SLIDE RUNNERS.



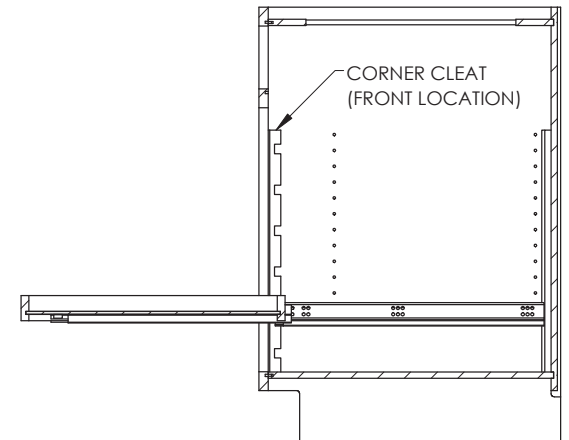
DETAIL E
SCALE 1 : 4



DETAIL F
SCALE 1 : 4

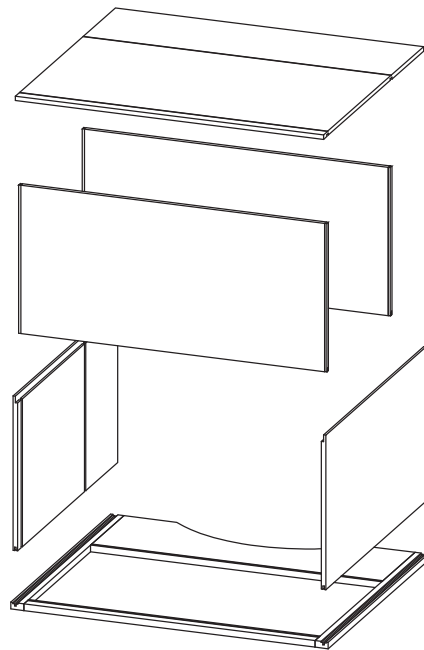
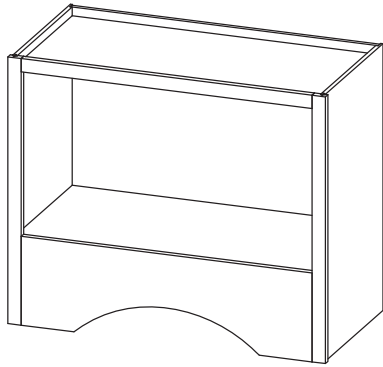


FRONT SETCTION VIEW SHOWING
BACK CLEAT POSITION



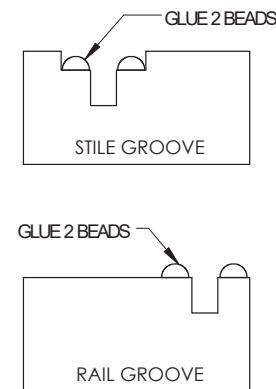
SIDE SECTION VIEW SHOWING
FRONT CLEAT POSITION

RANGE HOOD

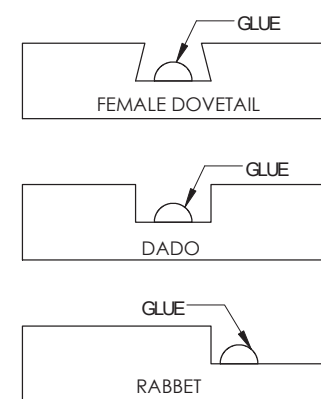


1. PLACE FRONT FRAME FACE DOWN ON A FLAT CLEAN ASSEMBLY TABLE.
2. APPLY GLUE TO FRONT FRAME AS SHOWN ON FIG #1.
3. INSERT SIDES INTO FRONT FRAME GROOVES. TAP THE SIDES DOWN SO THAT THEY ARE SECURELY IN PLACE.
4. APPLY GLUE TO FEMALE DOVETAILS ON SIDES AS SHOWN ON FIG#2.
5. SLIDE TOP & BOTTOM INTO FEMALE DOVETAILS. TAP TOP & BOTTOM DOWN SO THE SPLINES ARE SECURE.
6. APPLY GLUE TO SIDE RABBETS AND BACK DADO AS SHOWN IN ON FIG#2.
7. INSERT BACK BETWEEN RABBETS IN THE SIDES MAKING SURE THE TOP & BOTTOM ARE CAPTURED IN THE BACK DADO.
8. PIN OR STAPLE BACK TO TOP & BOTTOM USING SCRIBE LINE TO LOCATE FASTENERS. PINS OR STAPLES SHOULD BE SPACED A MINIMUM OF 3" APART.
9. PIN OR STAPLE SIDES TO BACK .
10. IF OPTIONSL MANTLE KITS ARE ORDERED (NOT SHOWN), LOCATE THE SHELF AND BRACKETS BELOW THE CABINET OPENING, POSITIONED PROPORTIONATELY ON THE ARCHED BOTTOM RAIL, ALLOWING CLEARENCE FOR OPERABLE DOORS TO OPEN.
11. SECURE BRACKETS AND SHELF USING WOOD SCREWS (NOT INCLUDED) FROM THE UNDERSIDE OF THE ARCHED BOTTOM RAIL. BE SURE TO PREDRILL BOTTOM RAIL, BRACKETS, AND SHELF.

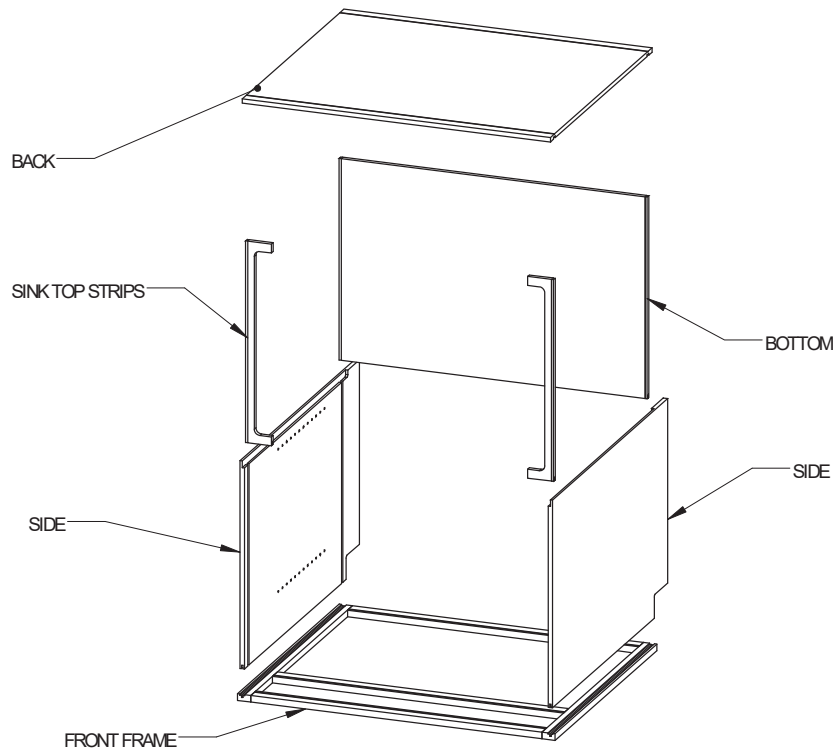
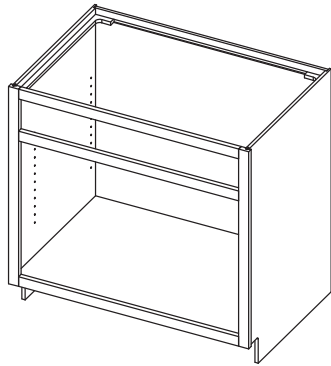
FIG#1 - FRONT FRAME GLUE APPLICATION



FIG#2 - CABINET PART GLUE APPLICATION

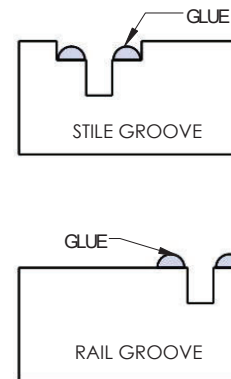


SINK BASE OR VANITY CABINET (WITH SINK TOP STRIPS)

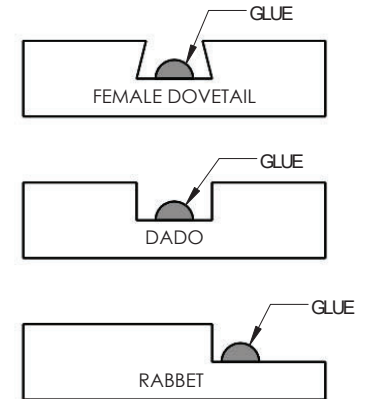


1. PLACE FRONT FRAME FACE DOWN ON A FLAT CLEAN ASSEMBLY TABLE.
2. APPLY GLUE TO FRONT FRAME AS SHOWN ON FIG #1.
3. INSERT SIDES INTO FRONT FRAME GROOVES. TAP THE SIDES DOWN SO THAT THEY ARE SECURELY IN PLACE.
4. APPLY GLUE TO FEMALE DOVETAIL ON SIDES AS SHOWN ON FIG#2.
5. SLIDE SINK TOP STRIPS AND BOTTOM INTO FEMALE DOVETAILS. TAP SINK TOP STRIPS AND BOTTOM DOWN SO THE SPLINES ARE SECURE.
6. APPLY GLUE TO SIDE RABBET AND BACK DADO AS SHOWN IN ON FIG#2.
7. INSERT BACK BETWEEN RABBETS IN THE SIDES MAKING SURE THE SINK TOP STRIPS AND BOTTOM ARE CAPTURED IN THE BACK DADO.
8. PIN OR STAPLE BACK TO SINK TOP STRIP & BOTTOM USING SCRIBE LINE TO LOCATE FASTENERS. PINS OR STAPLES SHOULD BE SPACED A MINIMUM OF 3" APART.
9. PIN OR STAPLE SIDES TO BACK .

FIG#1 - FRONT FRAME GLUE APPLICATION

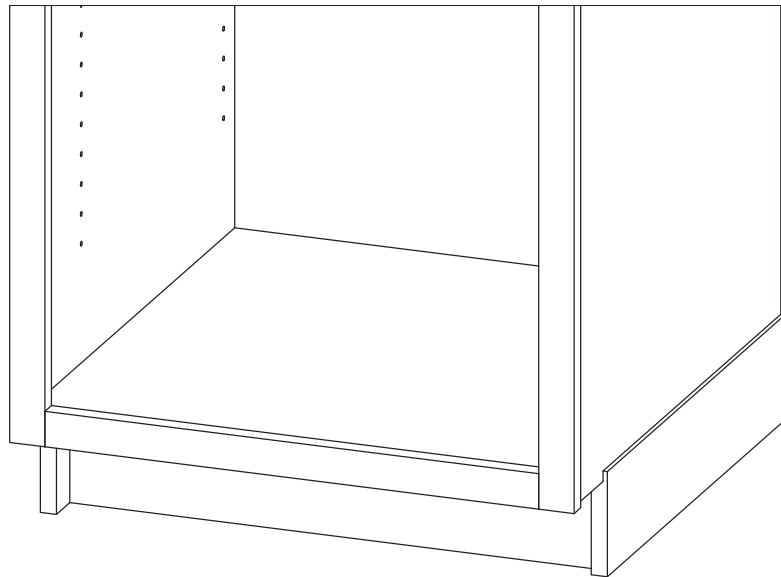


FIG#2 - CABINET PART GLUE APPLICATION

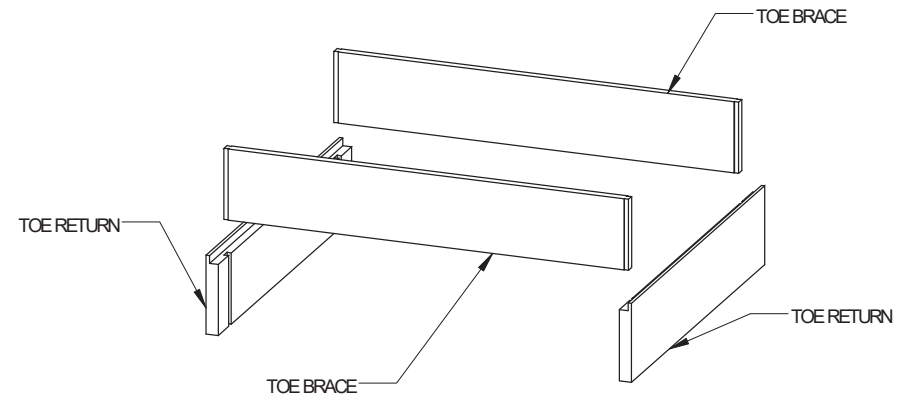


TOE PLATFORM OPTION

FIG#1 - CABINET PART GLUE APPLICATION

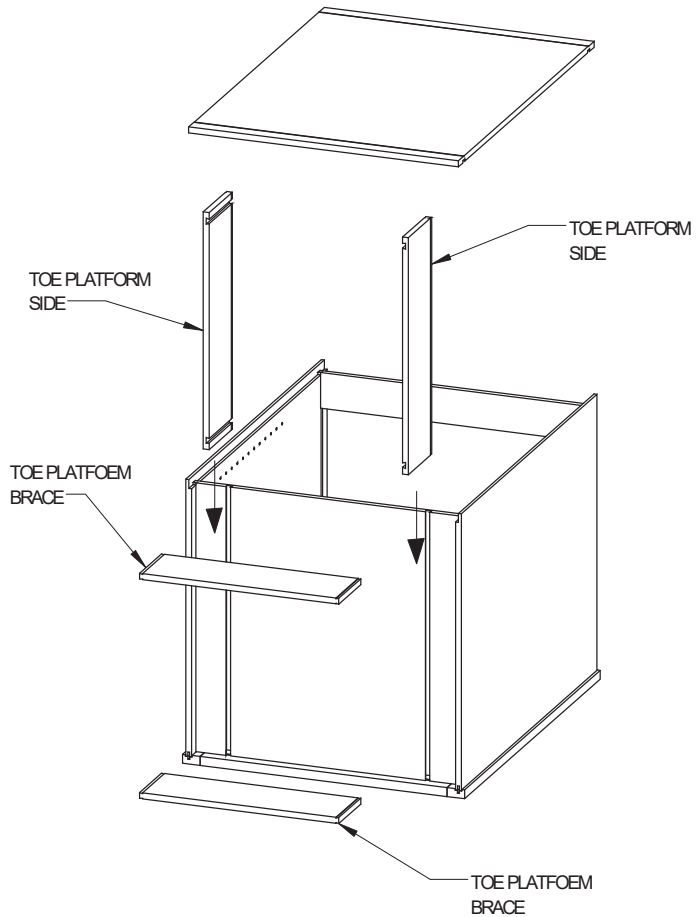


1. TOE PLATFORM IS INSTALLED AT THE JOB SITE. THE EXAMPLE ILLUSTRATES A FULLY ASSEMBLED TALL CABINET WITH THE TOE PLATFORM OPTION.
2. APPLY GLUE TO THE FEMALE DOVETAILS ON THE TOE RETURN AS SHOWN IN FIG #2.
3. SLIDE TOE BRACE INTO FEMALE DOVETAILS ON THE TOE RETURN. ENSURE THAT TOE RETURN AND TOE BRACE IS FLUSH ON THE BOTTOM EDGE.
4. WHEN CABINET HEIGHT IS CLOSE TO CIELING HEIGHT, ELEVATE CABINET TO DESIRED HEIGHT AND SLIDE TOE PLATFORM IN PLACE. CABINET RESTS ON ASSEMBLED TOE PLATFORM.
5. FASTEN CABINET TO WALL AND ADJACENT CABINETS. SECURE TOE PLATFORM THROUGH CABINET INTERIOR BOTTOM.

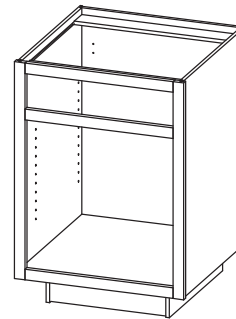


TOE SPACE SIDE OPTION

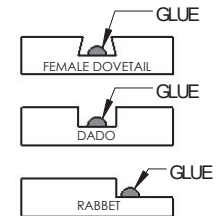
(BASE CABINET EXAMPLE SHOWN)



1. TOE SPACE SIDE COMPONENTS ARE INSTALLED BEFORE THE BACK IS ATTACHED TO CABINET. THE EXAMPLE ILLUSTRATES A STANDARD BASE CABINET.
2. APPLY GLUE TO THE FEMALE DOVETAILS IN THE BOTTOM OF THE CABINET AS SHOWN IN FIG #2.
3. APPLY GLUE TO SIDE RABBET AND BACK DADO AS SHOWN IN ON FIG#2.
4. SLIDE TOE PLATFORM SIDES INTO FEMALE DOVETAILS ON THE CABINET BOTTOM. ENSURE THAT TOE PLATFORM IS FLUSH WITH CABINET BOTTOM.
5. INSERT BACK BETWEEN RABBETS IN THE SIDES MAKING SURE THE BACK TOP STRIP AND BOTTOM ARE CAPTURED IN THE BACK DADO. BACK INSTALLATION WILL PUSH TOE PLATFORM INTO POSITION.
6. PIN OR STAPLE BACK TO BACK TOP STRIP & BOTTOM USING SCRIBE LINE TO LOCATE FASTENERS. PINS OR STAPLES SHOULD BE SPACED A MINIMUM OF 3" APART.
7. PIN OR STAPLE BACK TO TOE PLATFORM
8. APPLY GLUE TO THE FEMALE DOVETAILS IN THE TOE PLATFORM AS SHOWN IN FIG #2.
9. INSERT PLATFORM BRACES INTO FEMALE DOVETAIL ON TOE PLATFORM.
10. PIN OR STAPLE SIDES TO BACK.

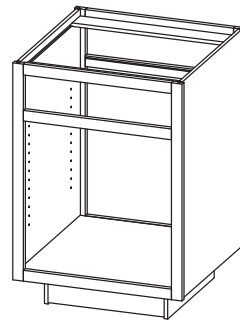
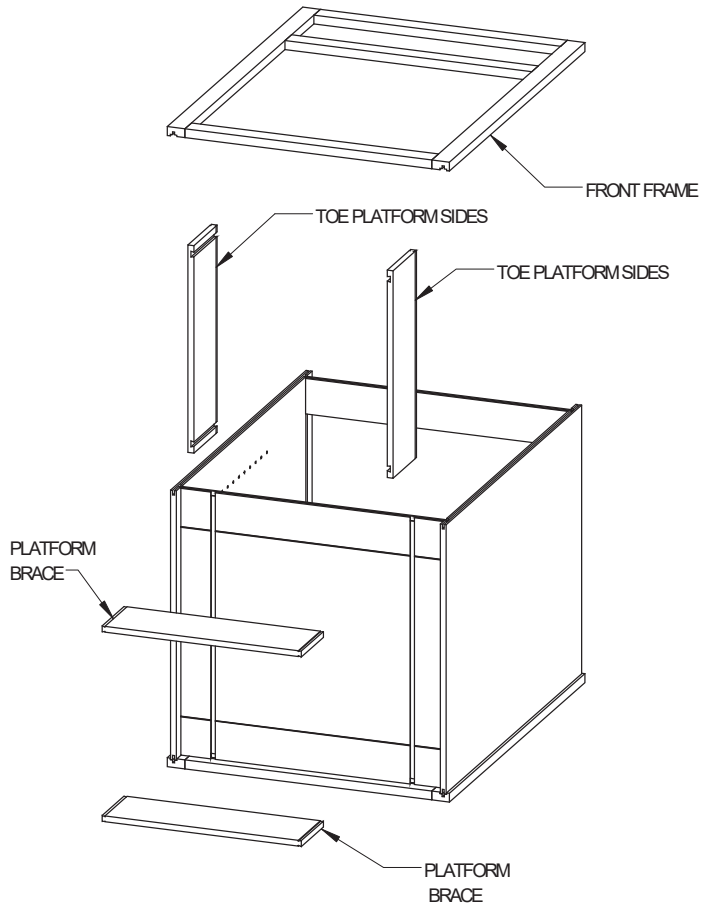


FIG#2 - CABINET PART GLUE APPLICATION

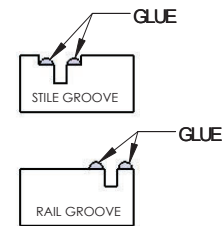


TOE SPACE SIDE OPTION ON DOUBLE ENTRY CABINETS

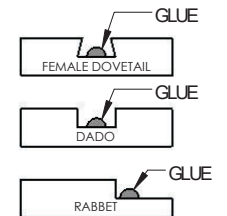
1. TOE SPACE SIDE COMPONENTS ARE INSTALLED BEFORE THE SECOND FRONT FRAME IS ATTACHED TO CABINET. THE EXAMPLE ILLUSTRATES A STANDARD BASE CABINET.
2. APPLY GLUE TO THE FEMALE DOVETAILS IN THE BOTTOM OF THE CABINET AS SHOWN IN FIG #2.
3. APPLY GLUE TO FRONT FRAME AS SHOWN ON FIG #1.
4. SLIDE TOE PLATFORM SIDES INTO FEMALE DOVETAILS ON THE CABINET BOTTOM.
5. ALIGN THE CENTER OF THE FEMALE DOVETAILS ON THE TOE PLATFORM SIDES WITH THE SCRIBELINE ON THE CABINET BOTTOM.
6. ATTACH FRONT FRAME TO THE PREINSERTED SPLINES ON THE SIDES, BACK TOP STRIP AND BOTTOM. TAP FRONT FRAME DOWN SO SPLINES ARE SECURE .
7. APPLY GLUE TO THE FEMALE DOVETAILS IN THE TOE PLATFORM AS SHOWN IN FIG #2.
8. INSERT PLATFORM BRACES INTO FEMALE DOVETAIL ON TOE PLATFORM SIDES.



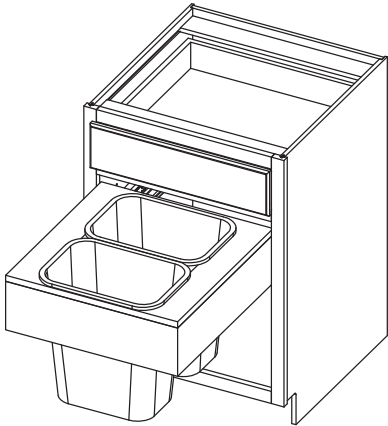
FIG#1 - FRONT FRAME GLUE APPLICATION



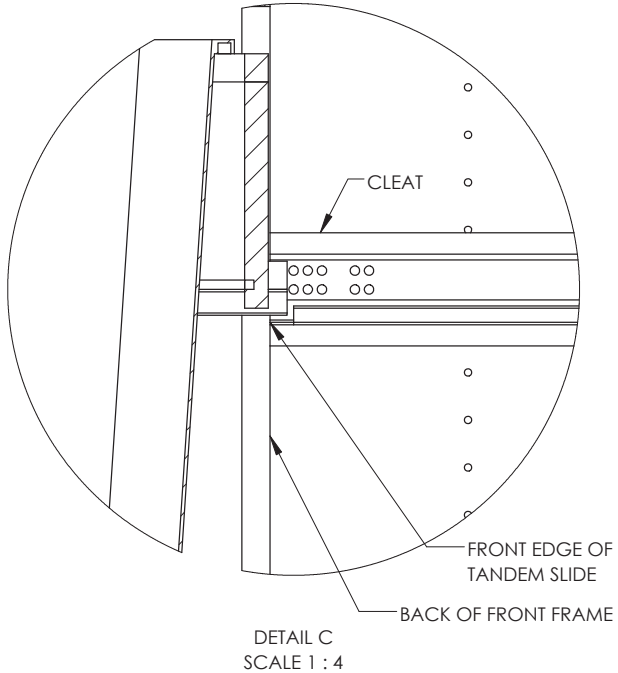
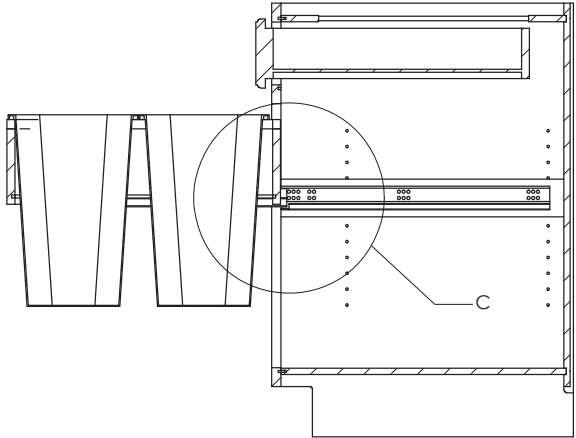
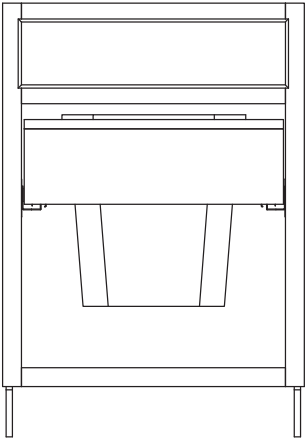
FIG#2 - CABINET PART GLUE APPLICATION



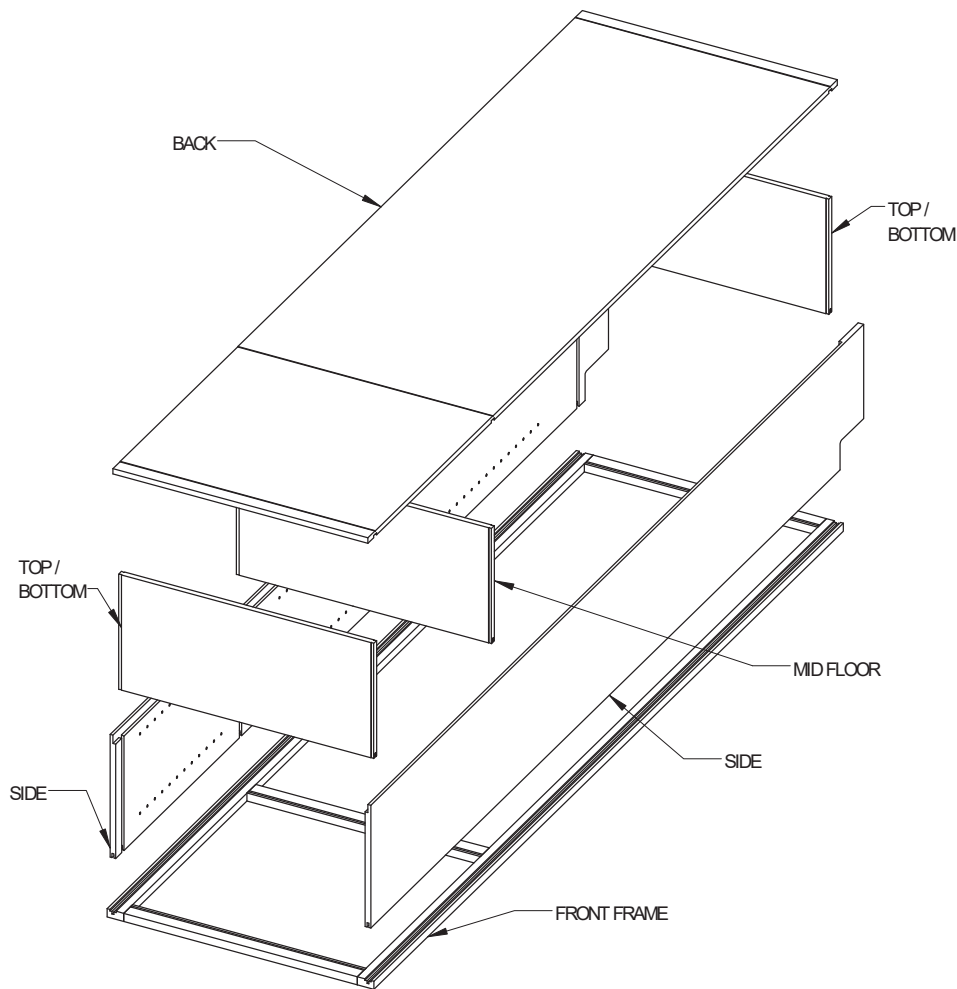
TRASH CAN PULLOUT WITH TANDEM SLIDES



1. ASSEMBLE CABINET FOLLOWING RECOMMENDED PROCEDURES.
2. FASTEN CLEATS TO INTERIOR CABINET SIDES AT DESIRED HEIGHT USING SCREWS. (NOT PROVIDED)
3. SIDE MOUNT TANDEM SLIDES TO CLEATS. TANDEM SLIDE SHOULD BE EVEN WITH OR SLIGHTLY BEHIND THE BACK EDGE OF THE FRONT FRAME. SEE DETAIL C BELOW
4. INSTALL DRAWER BOX AND INSERT TRASH CANS.

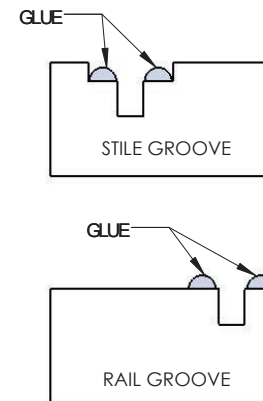


UTILITY CABINETS AND CABINETS WITH FIXED FLOORS

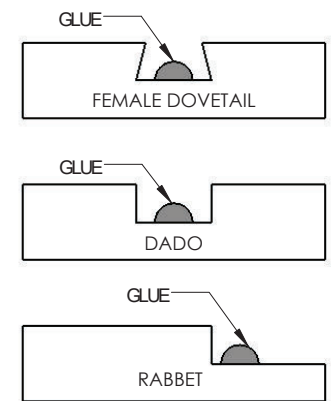


1. PLACE FRONT FRAME FACE DOWN ON A FLAT CLEAN ASSEMBLY TABLE.
2. APPLY GLUE TO FRONT FRAME AS SHOWN ON FIG #1.
3. INSERT SIDES INTO FRONT FRAME GROOVES. TAP SIDES DOWN SO THAT THEY ARE SECURELY IN PLACE.
4. APPLY GLUE TO FEMALE DOVETAIL ON SIDES AS SHOWN ON FIG#2.
5. SLIDE TOP/BOTTOM AND MIDFLOOR INTO FEMALE DOVETAELS. TAP TOP/BOTTOM AND MIDFLOOR DOWN SO THE SPLINES ARE SECURE.
6. APPLY GLUE TO SIDE RABBET AND BACK DADO AS SHOWN IN ON FIG#2.
7. INSERT BACK BETWEEN RABBETS IN THE SIDES MAKING SURE THE TOP/BOTTOM AND MIDFLOOR ARE CAPTURED IN THE BACK DADO.
8. PIN OR STAPLE BACK TO TOP/BOTTOM AND MIDFLOOR USING SCRIBE LINE TO LOCATE FASTENERS. PINS OR STAPLES SHOULD BE SPACED A MINIMUM OF 3" APART.
9. PIN OR STAPLE SIDES TO BACK.

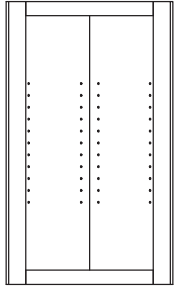
FIG#1 - FRONT FRAME GLUE APPLICATION



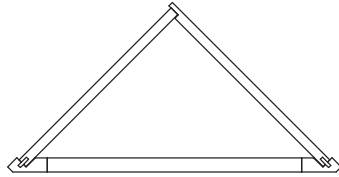
FIG#2 - CABINET PART GLUE APPLICATION



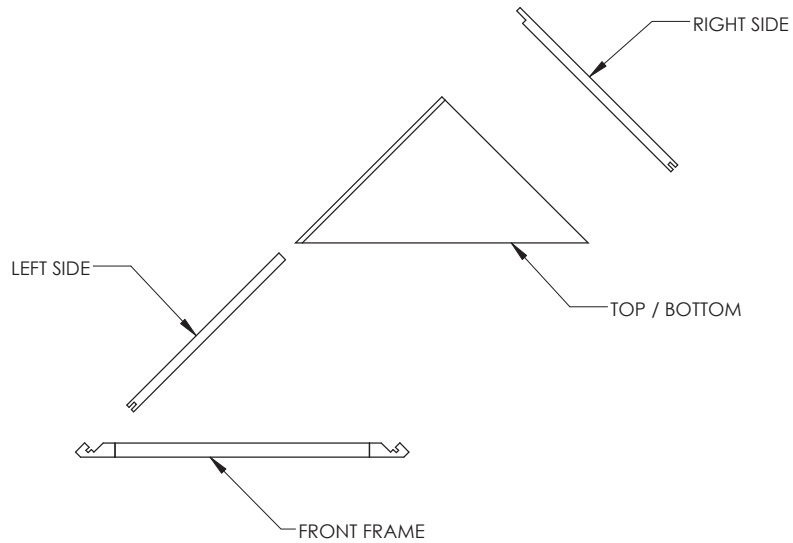
WALL ANGLE END CABINET (WAE)



FRONT VIEW

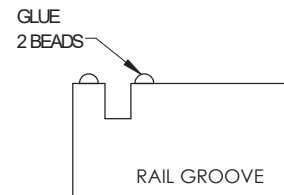
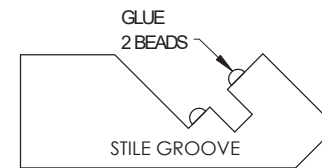


TOP VIEW

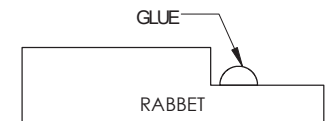
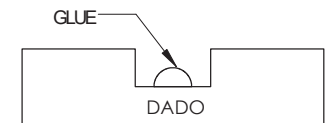


1. PLACE FRONT FRAME FACE DOWN ON A FLAT CLEAN ASSEMBLY TABLE.
2. APPLY GLUE TO FRONT FRAME AS SHOWN ON FIG #1.
3. INSERT LEFT SIDE INTO FRONT FRAME GROOVES. (SIDE THAT HAS THE FEMALE DOVETAIL) TAP THE SIDE DOWN SO THAT IS SECURELY IN PLACE.
4. APPLY GLUE TO FEMALE DOVETAILS ON LEFT SIDE AS SHOWN ON FIG#2.
5. SLIDE TOP AND BOTTOM INTO FEMALE DOVETAILS. TAP TOP AND BOTTOM SO SPLINES ARE SECURE.
6. APPLY GLUE TO SIDE RABBETS AND DADOS OF THE RIGHT SIDE AS SHOWN IN ON FIG#2.
7. INSERT RIGHT SIDE MAKING SURE THE TOP AND BOTTOM ARE CAPTURED IN THE RIGHT SIDE DADOS.
8. PIN OR STAPLE RIGHT SIDE TO THE TOP, BOTTOM AND LEFT SIDE. STAPLES SHOULD BE SPACED A MINIMUM OF 3" APART.

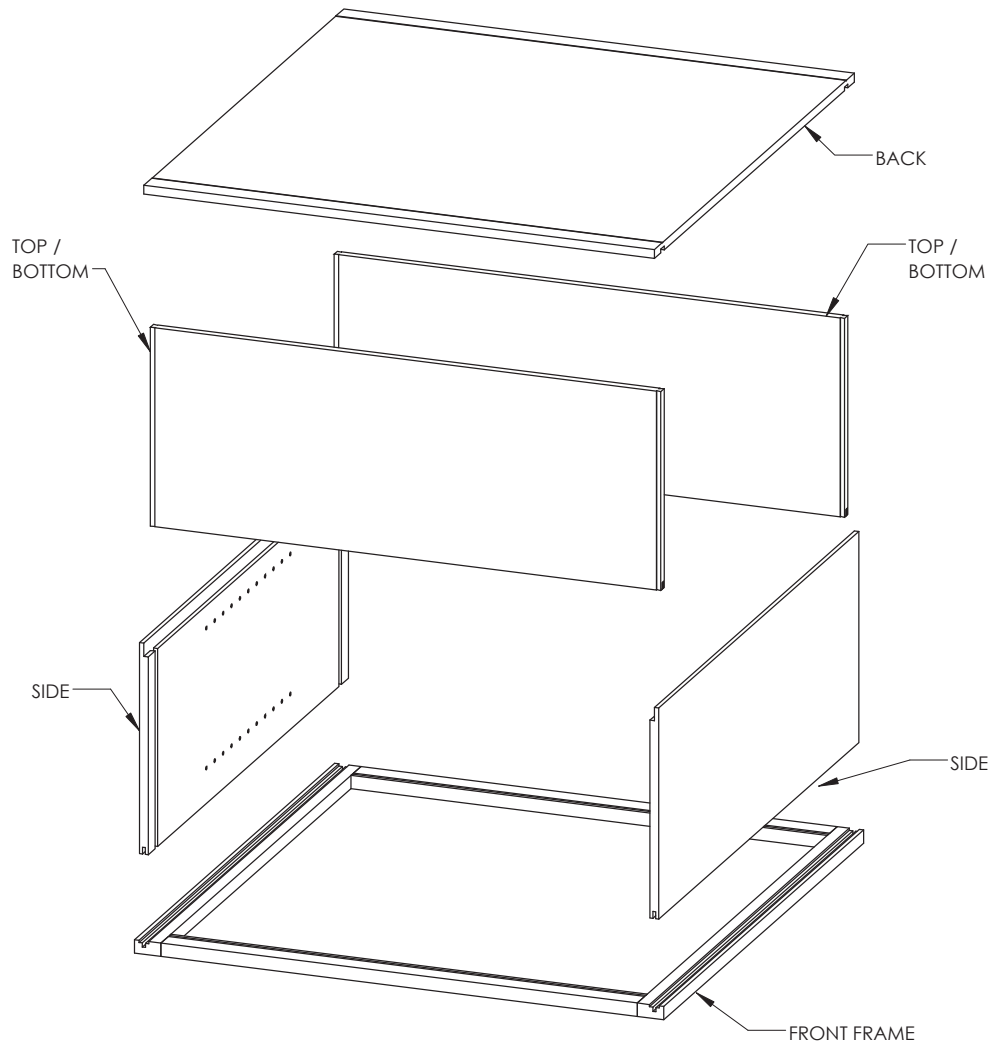
FIG#1 - FRONT FRAME GLUE APPLICATION



FIG#2 - CABINET PART GLUE APPLICATION

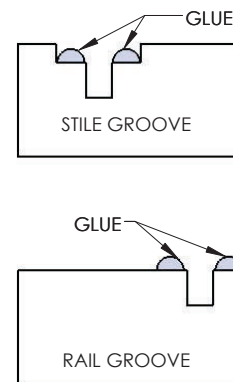


STANDARD WALL CABINET

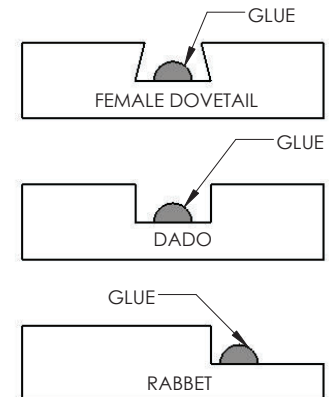


1. PLACE FRONT FRAME FACE DOWN ON A FLAT CLEAN ASSEMBLY TABLE.
2. APPLY GLUE TO FRONT FRAME AS SHOWN ON FIG #1.
3. INSERT SIDES INTO FRONT FRAME GROOVES. TAP THE SIDES DOWN SO THAT THEY ARE SECURELY IN PLACE.
4. APPLY GLUE TO FEMALE DOVETAILS ON SIDES AS SHOWN ON FIG#2.
5. INSERT TOP AND BOTTOM INTO FEMALE DOVETAILS. TAP TOP & BOTTOM DOWN SO THE SPLINES ARE SECURE.
6. APPLY GLUE TO SIDE RABBETS AND BACK DADOS AS SHOWN IN ON FIG#2.
7. INSERT BACK BETWEEN RABBETS IN THE SIDES MAKING SURE THE TOP AND BOTTOM ARE CAPTURED IN THE BACK DADOS.
8. PIN OR STAPLE BACK TO TOP & BOTTOM USING SCRIBE LINE TO LOCATE FASTENERS. PINS OR STAPLES SHOULD BE SPACED A MINIMUM OF 3" APART.
9. PIN OR STAPLE SIDES TO BACK.

FIG#1 - FRONT FRAME GLUE APPLICATION

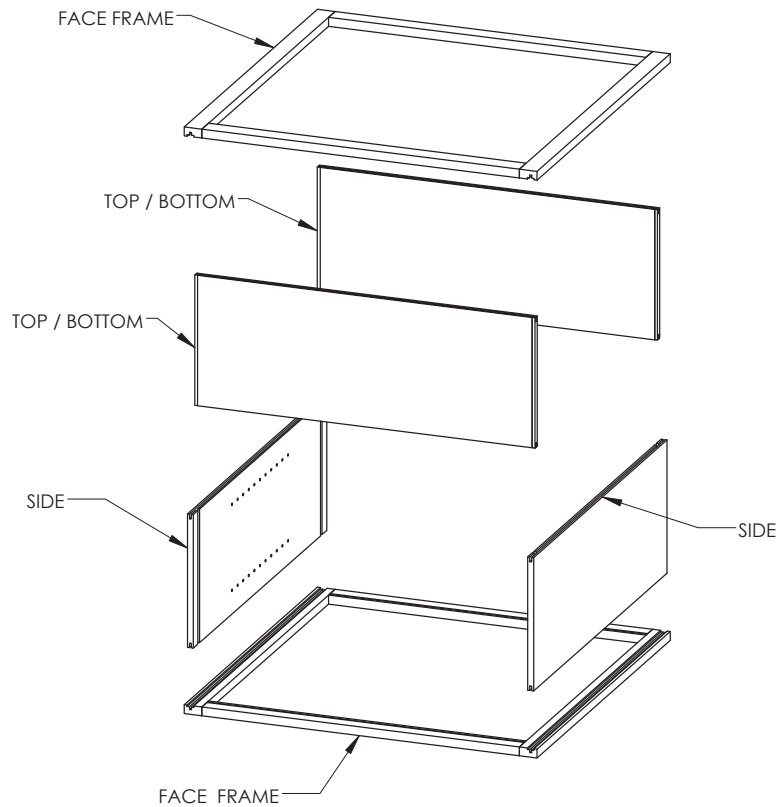


FIG#2 - CABINET PART GLUE APPLICATION

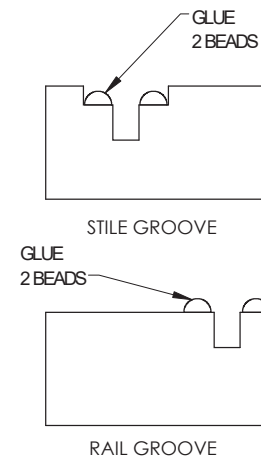


WALL DOUBLE ENTRY

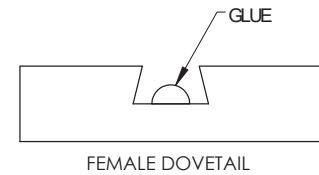
1. PLACE FRONT FRAME FACE DOWN ON A FLAT CLEAN ASSEMBLY TABLE.
2. APPLY GLUE TO FRONT FRAME AS SHOWN ON FIG #1.
3. INSERT SIDES INTO FRONT FRAME GROOVES. TAP THE SIDES DOWN SO THAT THEY ARE SECURELY IN PLACE.
4. APPLY GLUE TO FEMALE DOVETAILS ON SIDES AS SHOWN ON FIG#2.
5. SLIDE TOP AND BOTTOM INTO FEMALE DOVETAILS. TAP TOP & BOTTOM DOWN SO THE SPLINES ARE SECURE.
6. APPLY GLUE TO THE SECOND FRONT FRAME AS SHOWN IN ON FIG#1.
7. ATTACH FRONT FRAME TO THE PREINSERTED SPLINES ON THE SIDES, TOP AND BOTTOM. TAP FRONT FRAME DOWN SO SPLINES ARE SECURE .



FIG#1 - FRONT FRAME GLUE APPLICATION

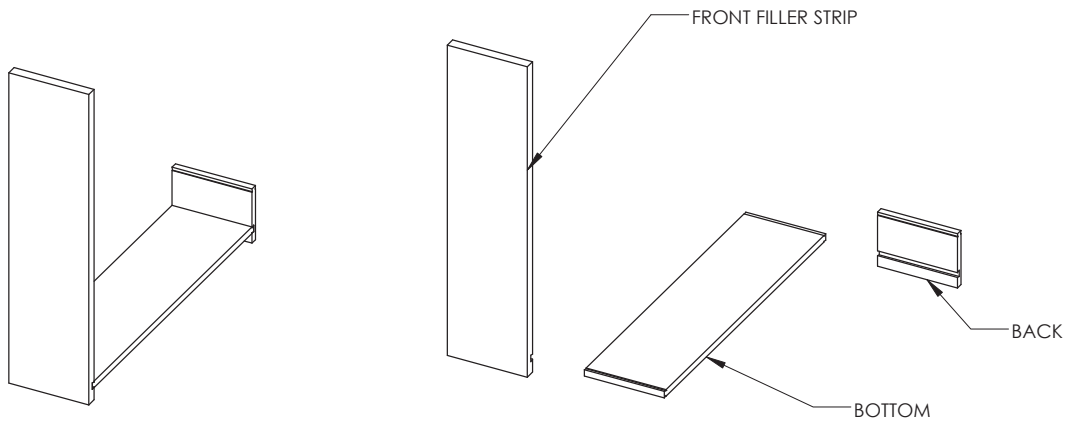


FIG#2 - CABINET PART GLUE APPLICATION

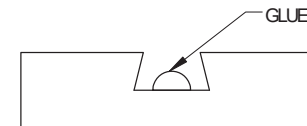


WALL FILLER STRIP

1. APPLY GLUE TO FEMALE DOVETAIL ON FRONT FILLER STRIP AND BACK AS SHOWN IN FIG#1.
2. SLIDE BOTTOM INTO FEMALE DOVETAILS ON FRONT FILLER STRIP AND BACK SO EDGES ARE FLUSH.
3. CLAMP OR TACK WITH PINS UNTIL GLUE SETS.

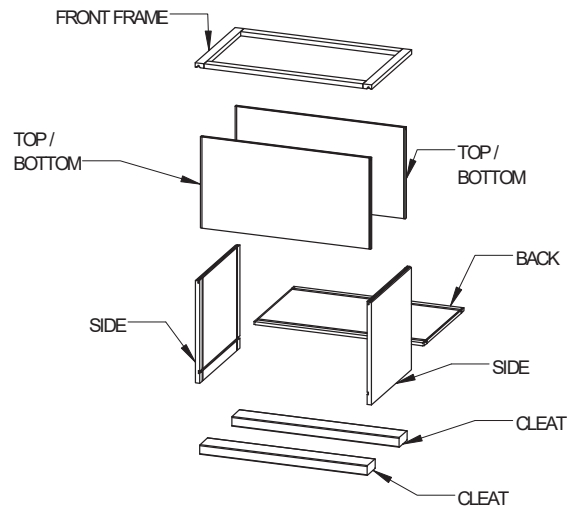


FIG#1 - CABINET PART GLUE APPLICATION

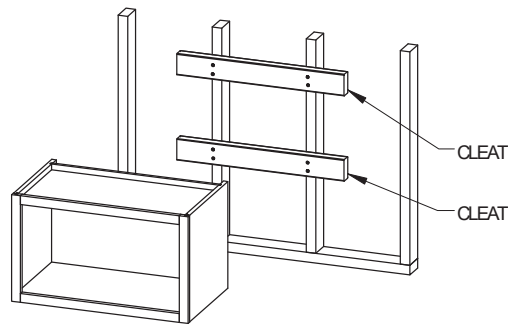


FEMALE DOVETAIL

WALL HUNG VANITY CABINET



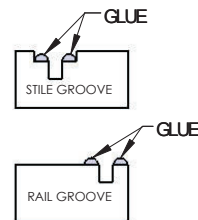
CABINET ASSEMBLY VIEW



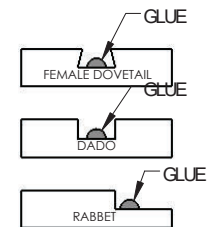
WALL MOUNT VIEW

1. APPLY GLUE TO FEMALE DOVETAILS IN SIDES AND DADOS ON BACK AS SHOWN ON FIG#2.
2. INSERT BACK INTO FEMALE DOVETAIL IN SIDES.
3. INSERT TOP AND BOTTOM INTO FEMALE DOVETAILS ON SIDES. ENSURE TOP & BOTTOM ARE PROPERLY SEATED IN DADOS ON BACK.
4. APPLY GLUE TO FRONT FRAME AS SHOWN IN FIG#1.
5. ALIGN PRE-INSERTED SPLINES ON TOP/BOTTOM AND SIDES WITH GROOVES ON FRONT FRAME. FIRMLY PRESS FRONT FRAME ONTO CABINET ENSURING THAT TOP/BOTTOM AND SIDES MATE WITH THE FACE FRAME SURFACE.
6. PIN OR STAPLE BACK TO TOP & BOTTOM USING SCRIBE LINE TO LOCATE FASTENERS. PINS OR STAPLES SHOULD BE SPACED A MINIMUM OF 3" APART.
7. HANGER CLEATS ARE TRIMMED TO FIT INSIDE THE BACK RECESS BETWEEN THE SIDES OF THE CABINET. THE HANGER CLEATS ARE TO BE FASTENED TO THE WALL STUDS WHERE THE CABINET IS BEING INSTALLED. A MINIMUM OF TWO 3-1/2" SCREWS PER WALL STUD MUST BE USED FOR EACH CLEAT. (SEE WALL MOUNT VIEW)
8. WALL HUNG VANITY CABINET ARE TO BE MOUNTED THROUGH THE BACK TO THE HANGER CLEATS WITH A MINIMUM OF ONE 2" SCREW EVERY 6".
9. FAILING TO FOLLOW PROPER ASSEMBLY AND INSTALLATION INSTRUCTIONS LISTED ABOVE COULD RESULT IN PRODUCT FAILURE, PERSONAL INJURY, OR PROPERTY DAMAGE.

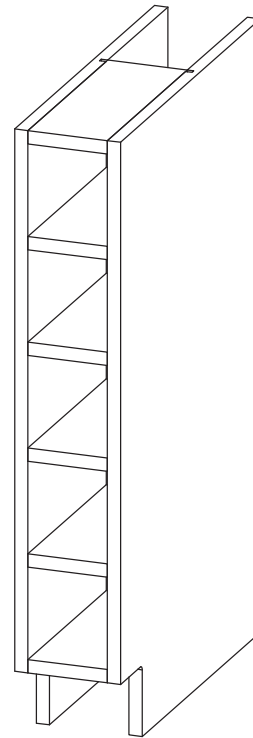
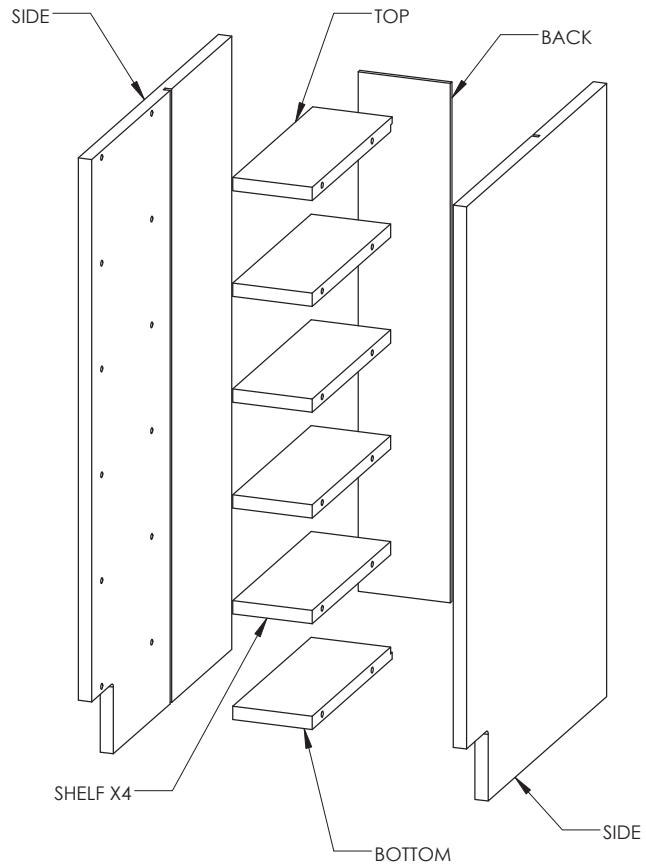
FIG#1 - FRONT FRAME GLUE APPLICATION



FIG#2 - CABINET PART GLUE APPLICATION



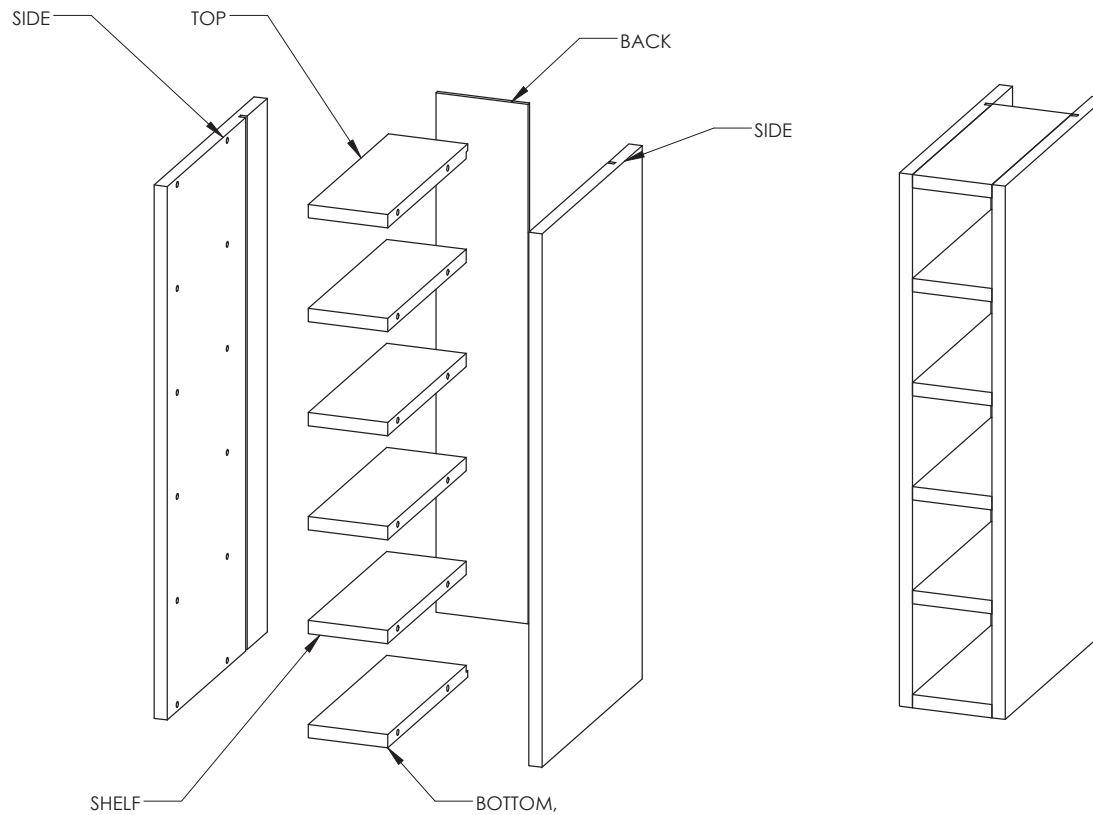
WINE STORAGE UNIT - BASE



1. APPLY GLUE INTO EACH DOWEL HOLE AND A BEAD OF GLUE IN EACH BACK DADO.
2. INSERT DOWELS INTO ALL END HOLES.
3. INSERT TOP, BOTTOM, AND SHELVES ONTO DOWELS MAKING SURE ALL EDGEBANDED EDGES ARE FACING FRONT.
4. INSERT BACK INTO DADO ON SIDES AND RABBETS ON TOP & BOTTOM.
5. APPLY SECOND SIDE TO TOP, BOTTOM, AND SHELVES ENSURING BACK IS CAPTURED IN THE DADO.
6. CLAMP FROM SIDE TO SIDE AND TOP TO BOTTOM AS NEEDED.

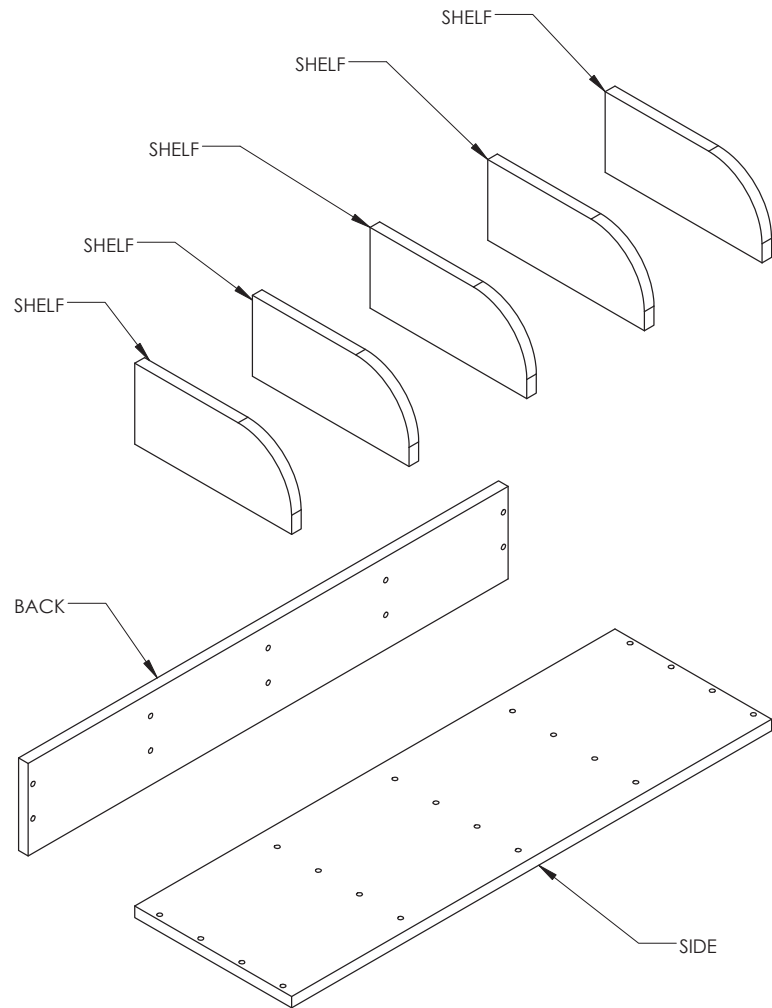
WINE STORAGE UNIT - WALL

(30" HIGH CONFIGURATION SHOWN)

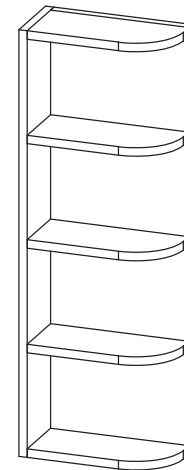


1. APPLY GLUE INTO EACH DOWEL HOLE AND A BEAD OF GLUE IN EACH BACK DADO.
2. INSERT DOWELS INTO ALL END HOLES.
3. INSERT TOP, BOTTOM, AND SHELVES ONTO DOWELS MAKING SURE ALL EDGEBANDED EDGES ARE FACING FRONT.
4. INSERT BACK INTO DADO ON SIDES AND RABBETS ON TOP & BOTTOM.
5. APPLY SECOND SIDE TO TOP, BOTTOM, AND SHELVES ENSURING BACK IS CAPTURED IN THE DADO.
6. CLAMP FROM SIDE TO SIDE AND TOP TO BOTTOM AS NEEDED.

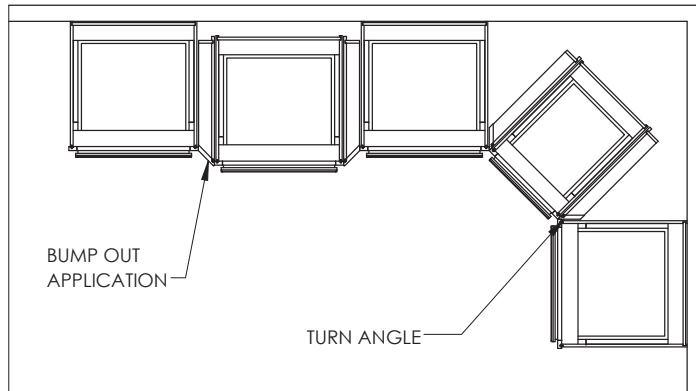
WALL OPEN SHELF (ROUND & SQUARE TOP)



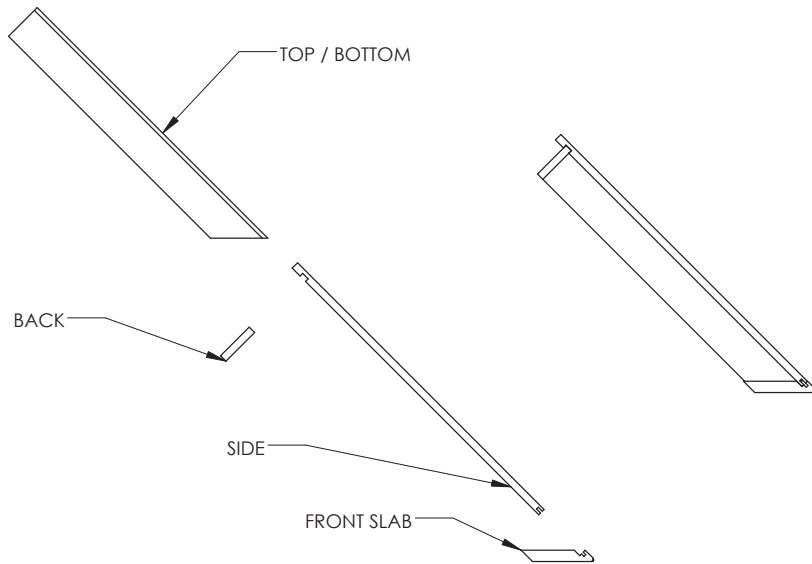
1. PLACE SIDE DOWN ON A FLAT CLEAN ASSEMBLY TABLE WITH THE DOWEL HOLES FACING UP.
2. APPLY GLUE INTO EACH DOWEL HOLE AND INSERT DOWELS.
3. APPLY GLUE INTO HOLES IN SHELVES.
4. INSERT SHELVES ONTO DOWELS IN SIDE.
5. APPLY GLUE INTO EACH DOWEL HOLE OF BACK AND INSERT DOWELS.
6. INSERT BACK WITH DOWELS INTO SHELVES / SIDE ASSEMBLY .
7. FOR TIGHT JOINT CLAMP SHELVES TO BACK AND SIDE.
8. PIN OR STAPLE BACK AND SIDE TO SHELVES.



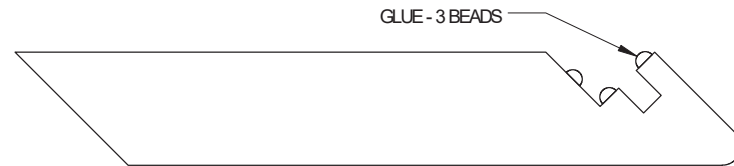
ZERO ANGLE FILLER



1. PLACE FRONT SLAB FACE DOWN ON A FLAT CLEAN ASSEMBLY TABLE.
2. APPLY GLUE TO FRONT SLAB AS SHOWN ON FIG #1.
3. APPLY GLUE TO FEMALE DOVETAIL ON SIDES AS SHOWN ON FIG#2
4. INSERT SIDE INTO FRONT SLAB GROOVE. TAP THE SIDE DOWN SO THAT THEY ARE SECURELY IN PLACE.
5. SLIDE TOP & BOTTOM INTO FEMALE DOVETAILS.
6. APPLY GLUE TO SIDE DADO AS SHOWN IN ON FIG#2.
7. INSERT BACK INTO THE SIDE DADO
8. PIN OR STAPLE BACK TO BACK TOP& BOTTOM.
9. PIN OR STAPLE TOP & BOTTOM TO FRONT SLAB FROM INSIDE.



FIG#1 - FRONT SLAB GLUE APPLICATION



FIG#2 - CABINET PART GLUE APPLICATION

